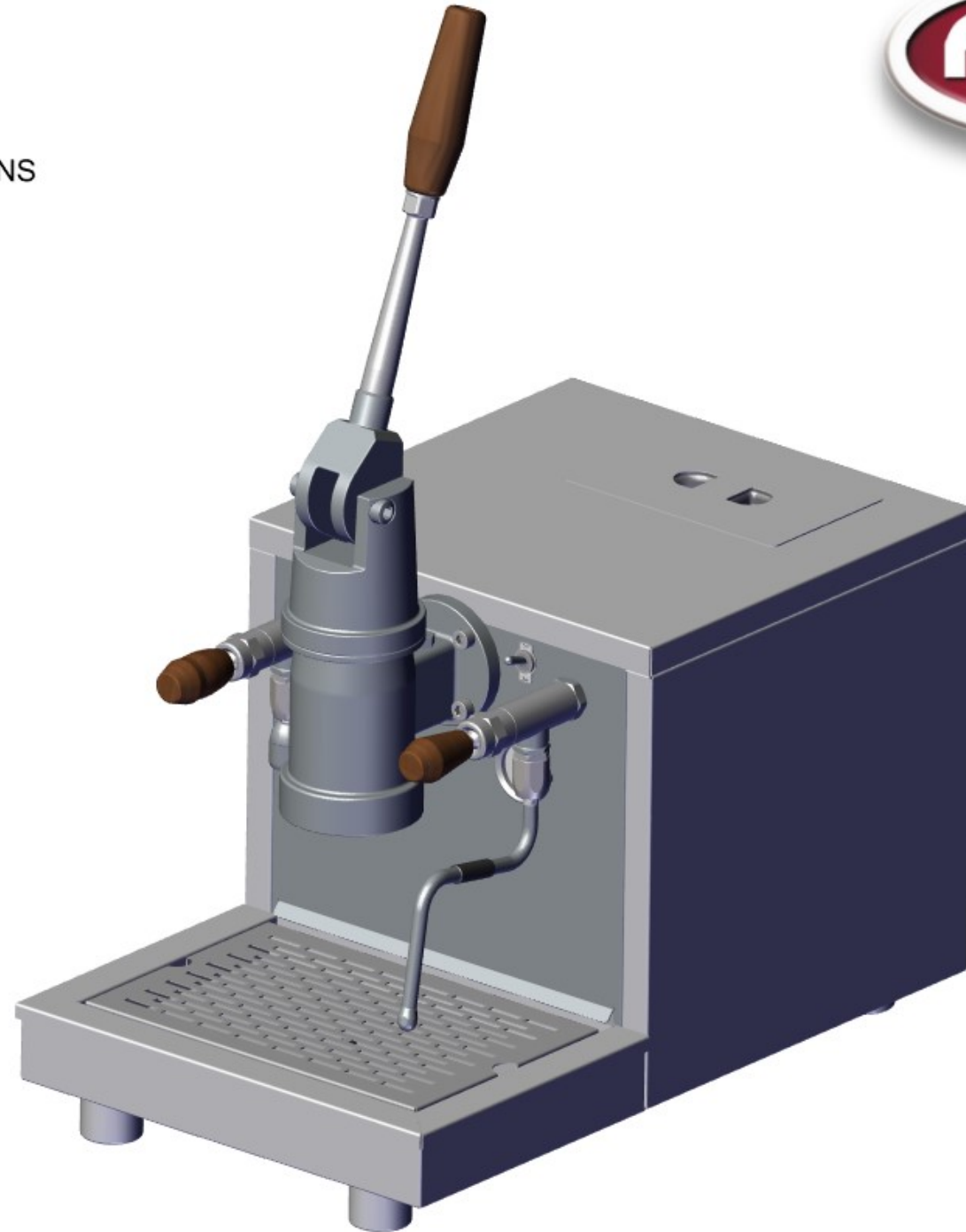


BUILD INSTRUCTIONS LONDINIUM R

MODEL NO: LR
DESCRIPTION: LR - BUILD INSTRUCTIONS
VERSION: 1.1



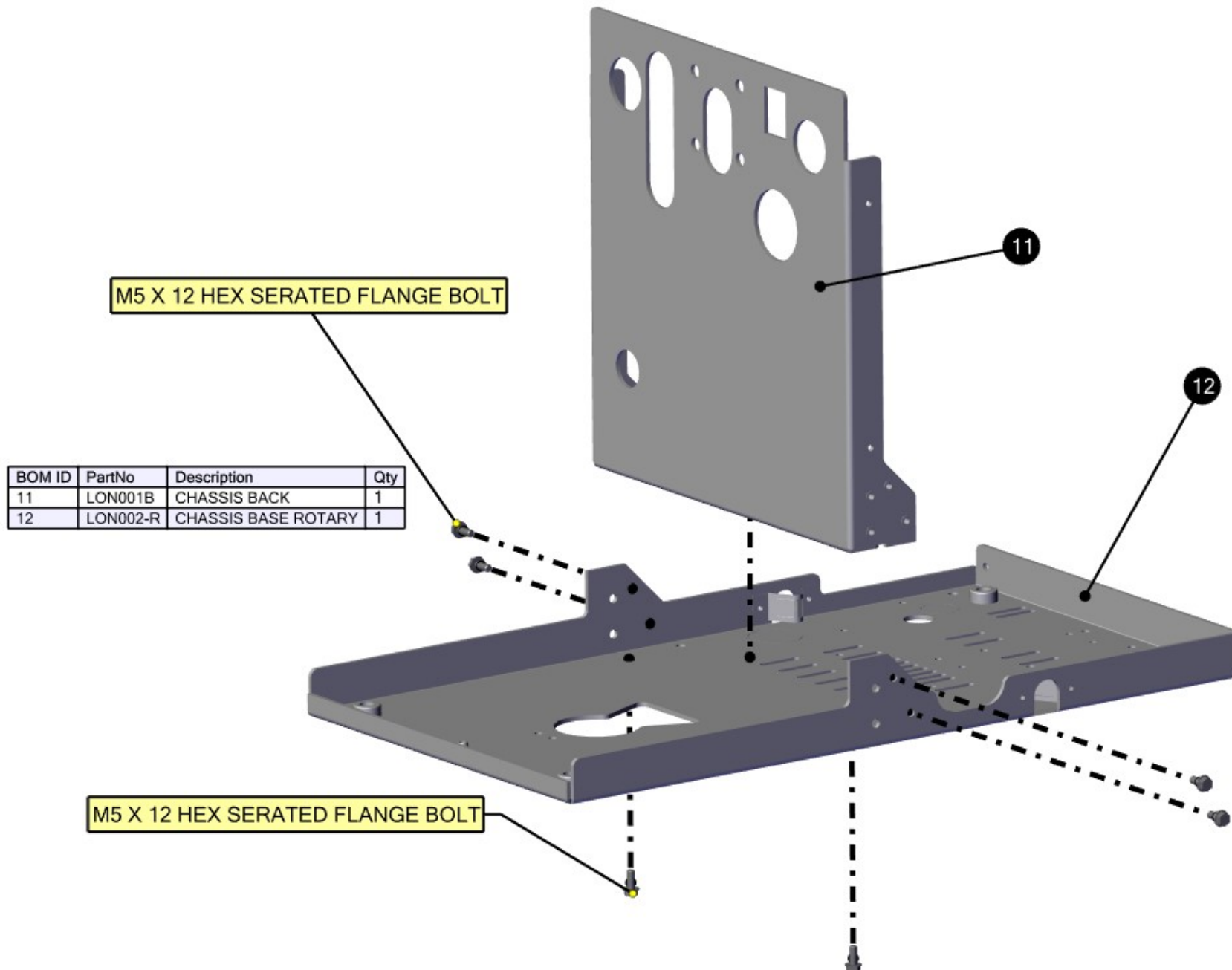
DESIGNER: GRAEME PAUL
VERSION 1.1 - 21/05/2018
ISSUE: 1.1

BUILD INSTRUCTIONS
LR

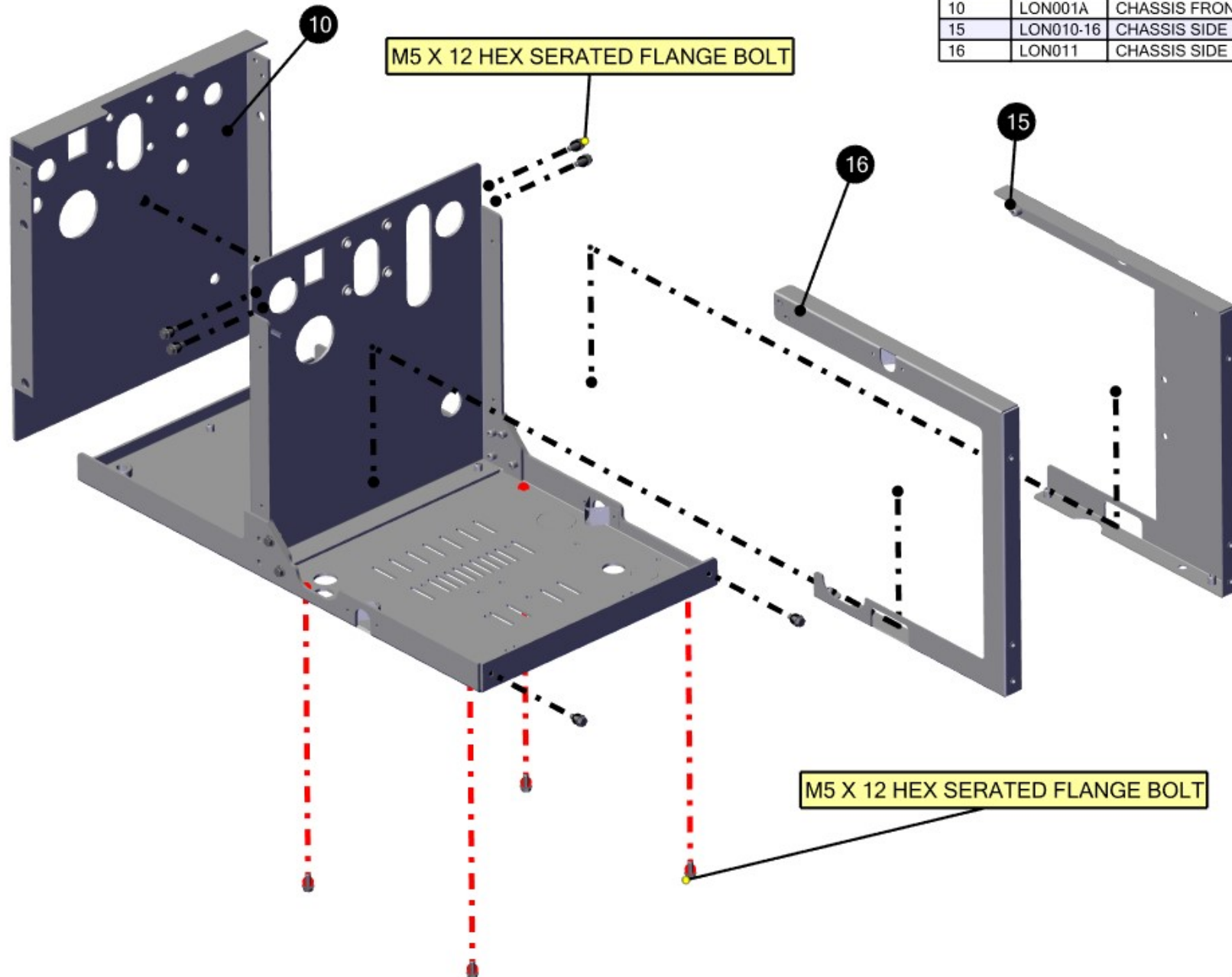
MODEL NO: LR
DESCRIPTION: LR - BUILD INSTRUCTIONS
VERSION: 1.1

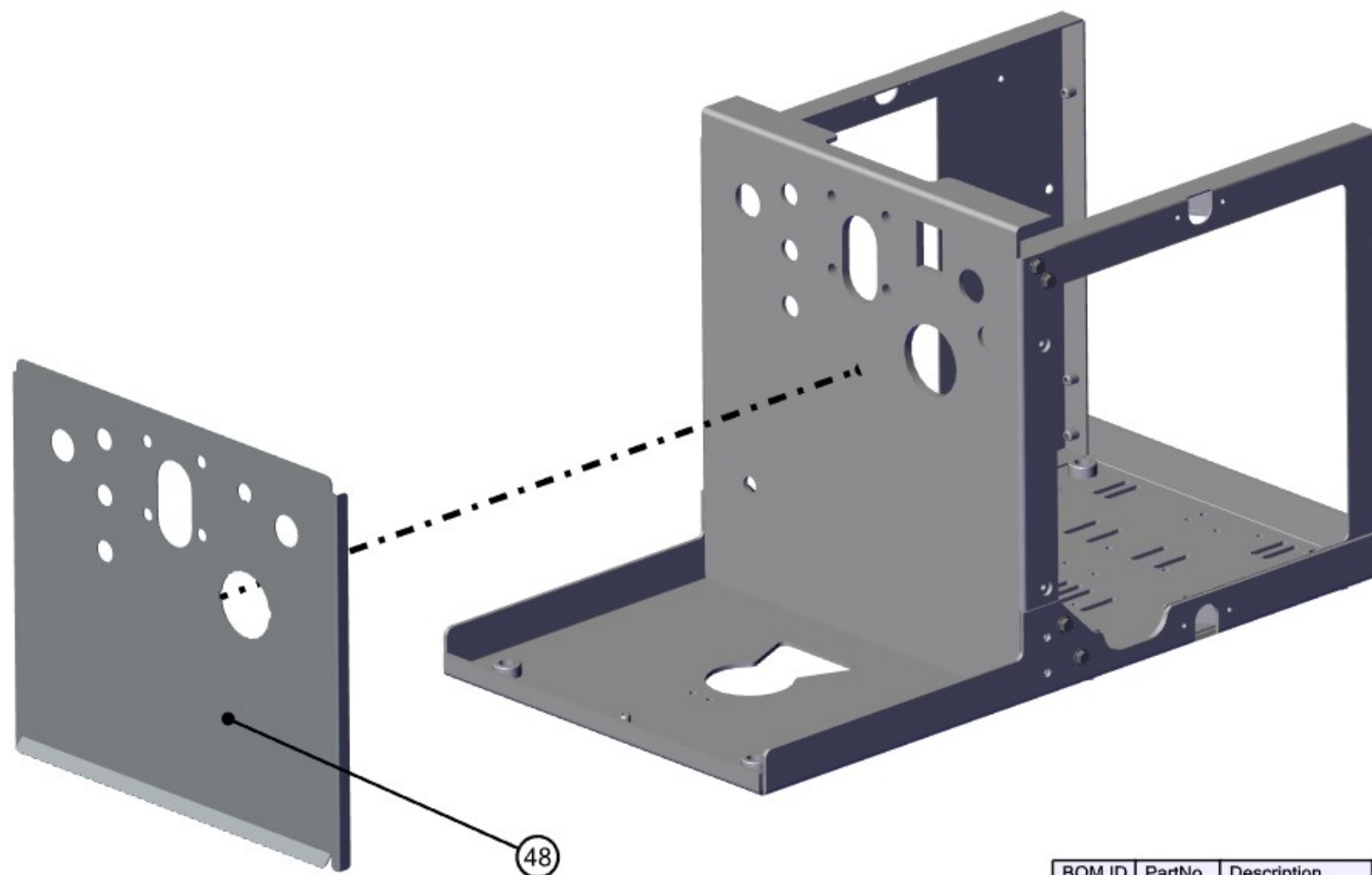
BOM ID	PartNo	Description	Qty
1	CHE151	BOILER TO PRESSURE GAUGE PIPE	1
2	FC158R	13A UK MOULDED PLUG LEAD (PVC FOR DOMESTIC)	1
3	FC169	PRESSURE SWITCH	1
4	FC171COM-16	COMPLETE INLET SOLENOID WITH FITTINGS	1
5	FC189T	16 AMP GAS/ELECTRIC SELECTOR TOGGLE SWITCH	1
6	FCL222FLICK	COMPLETE FLICK VALVE	2
7	FCL100-2009	COMPLETE LEVER GROUP THERMOSIPHON	1
8	HEA179	CHERUB PRESSURE GAUGE	1
9	HEA80-LON1	LONDINIUM BOILER COMPLETE	1
10	LON001A	CHASSIS FRONT	1
11	LON001B	CHASSIS BACK	1
12	LON002-R	CHASSIS BASE ROTARY	1
13	LON005LH	SIDE PANEL LH	1
14	LON005RH	SIDE PANEL RH	1
15	LON010-16	CHASSIS SIDE LH ROTARY	1
16	LON011	CHASSIS SIDE RH - L1	1
17	LON012-16	TOP CUP TRAY	1
18	LON016	WASTE CUP BRKT	1
19	LON138COM	COMPLETE MANIFOLD	1
20	LON143	MANIFOLD TO BOILER PIPE	1
21	LON146-A	MANIFOLD TO INLET PIPE	1
22	LON146-B	INLET TO BOILER PIPE	1
23	LON147	RH HEAT EX TO BOTTOM GROUP PIPE	1
24	LON148	LH HEAT EX TOP GROUP PIPE	1
25	LON190BLUE	14mm CHROME BEZEL BLUE LED	1
26	LON190RED	14mm CHROME BEZEL RED LED	1
27	LON190WHITE	14mm CHROME BEZEL WHITE LED	1
28	LON222AAFLICK	STEAM FLICK VALVE COMPLETE	1
29	LON222ABFLICK	HOT WATER FLICK VALVE COMPLETE	1
30	LON-149-17	HOT WATER PIPE	1
31	LON-150-17	STEAM PIPE	1
32	PIC005	WATER CONTAINER HOUSING	1
33	PIC082-COM	WATER TANK COMPLETE	1
34	CHE004	MANIFOLD BRACKET	1

BOM ID	PartNo	Description	Qty
35	CHE005	CHERUB WATER TANK HOUSING	1
36	FC119	M4x12 ALLEN HEAD SCREW	1
37	FC140-A	WASTE CUP	1
38	FC140-B	WASTE CUP CLIP	1
39	FC146AB	1-4BSP TO 8mm COMPRESSION NUT	2
40	FC157D	SMALL CABLE GLAND	1
41	FC244LON	SPECIAL S/S FOOT 40DIA X 30mm M10	4
42	FC75	1-8 COPPER WASHER	3
43	HEA172	MICRO Z CONTROL BOX	1
44	HEA179A	PRESSURE GAUGE BRACKET	1
45	HEA74	1/4 TO 1/4 TUBE STUB CONNECTOR	1
46	LON003-R	BACK PANEL	1
47	LON004-R	DRIP TRAY SUPPORT	1
48	LON013	FRONT FASCIA	1
49	LON014	DRIP TRAY	1
50	LON018	LONDINIUM BOILER CRADLE	1
51	LON082B	STAINLESS STEEL LID FASCIA	1
52	LON105-WOOD	LONDINIUM WOODEN FILTER HANDLES	1
53	LON169	LONDINIUM PRESSURE SWITCH	1
54	LON174	LONDINIUM RELAY	1
55	LON147B	LONDINIUM RELAY BRKT	1
56	LON222H-WOOD	WOODEN FLICK VALVE HANDLE	2
57	LON236	WASTE DRIP TRAY MK2	1
58	PIC082B	WATER CONTAINER LID	1
59	FC189T-G	TOGGLE SWITCH LOCK NUT	1
60	FC189T-P	TOGGLE ON-OFF SWITCH PLATE	1
61	FC196B-FLICK	CHROME LOCK NUT FOR FLICK VLAVE	2
62	FC56R	ANTI BURN STEAM TUBE RUBBER SLEAVE	1
63	HEA196	3/8 LOCK NUT CHROMED	2
64	FC222JSP	M20 SHAKEPROOF WASHER	2
65	LON221COM	STEAM ARM ASSEMBLY	1
66	LON222COM	HOT WATER ARM ASSEMBLY	1
67	FC196C	1-2 BSP LOCK NUT CHROMED	2



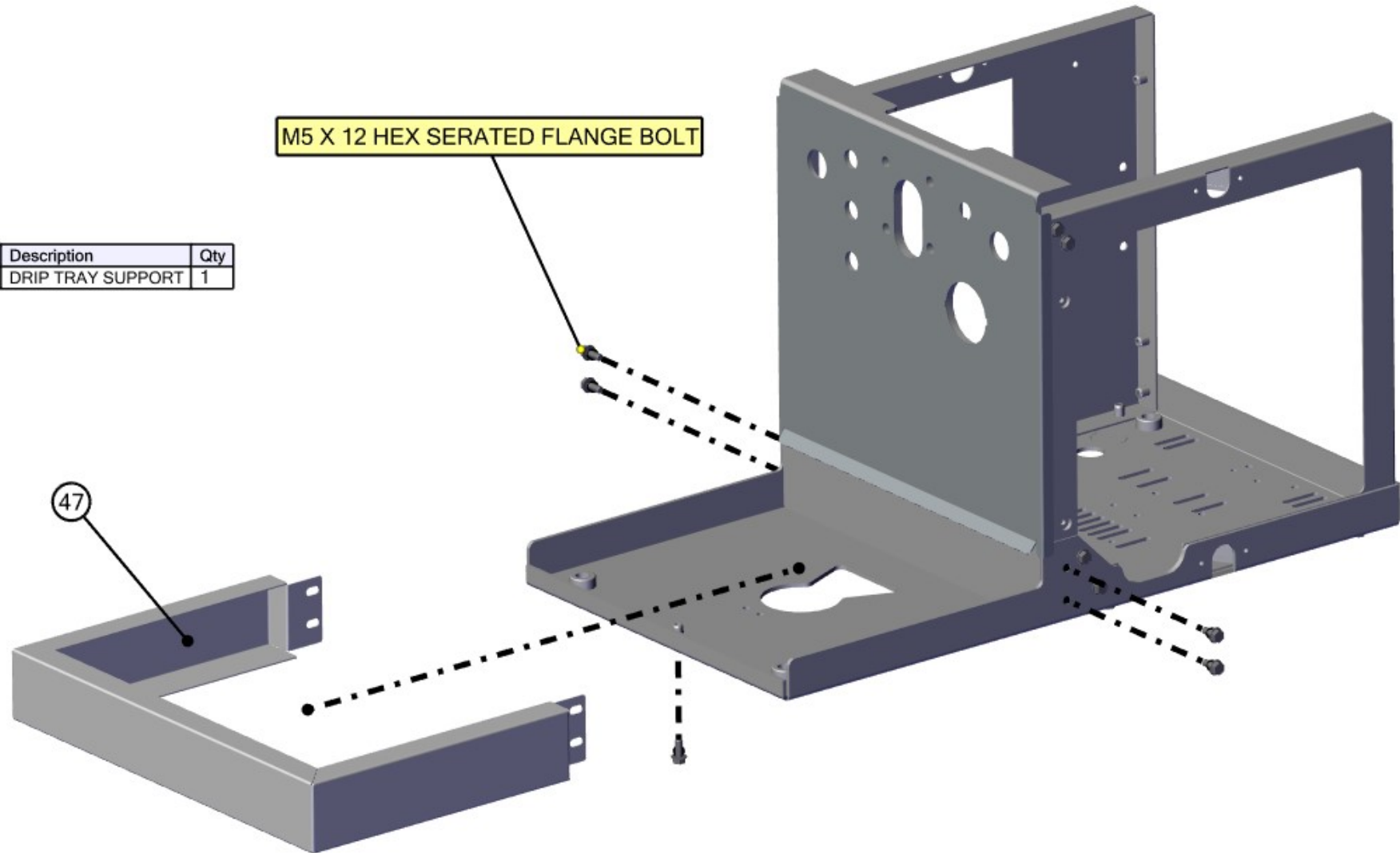
BOM ID	PartNo	Description	Qty
10	LON001A	CHASSIS FRONT	1
15	LON010-16	CHASSIS SIDE LH ROTARY	1
16	LON011	CHASSIS SIDE RH - L1	1

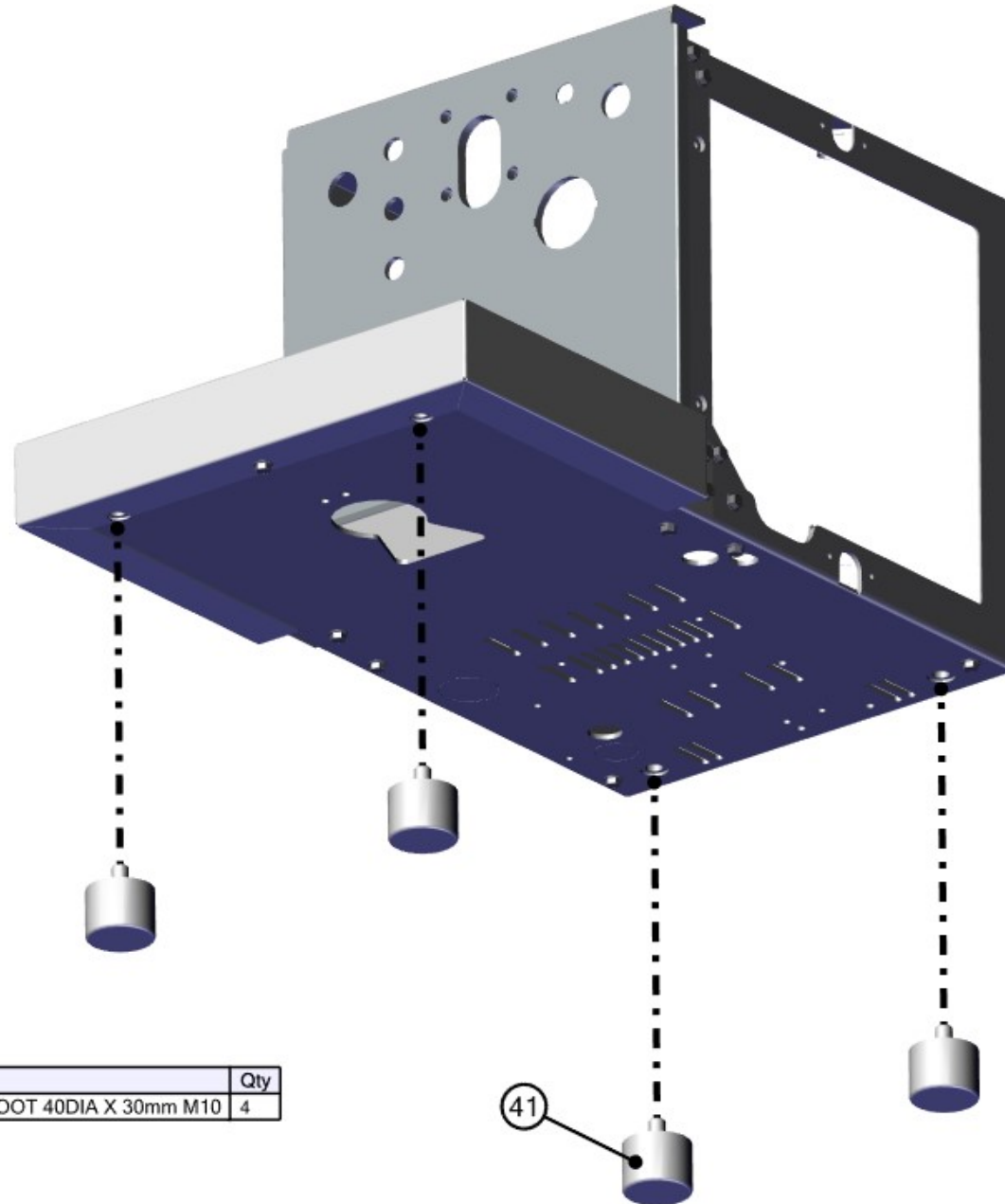




BOM ID	PartNo	Description	Qty
48	LON013	FRONT FASCIA	1

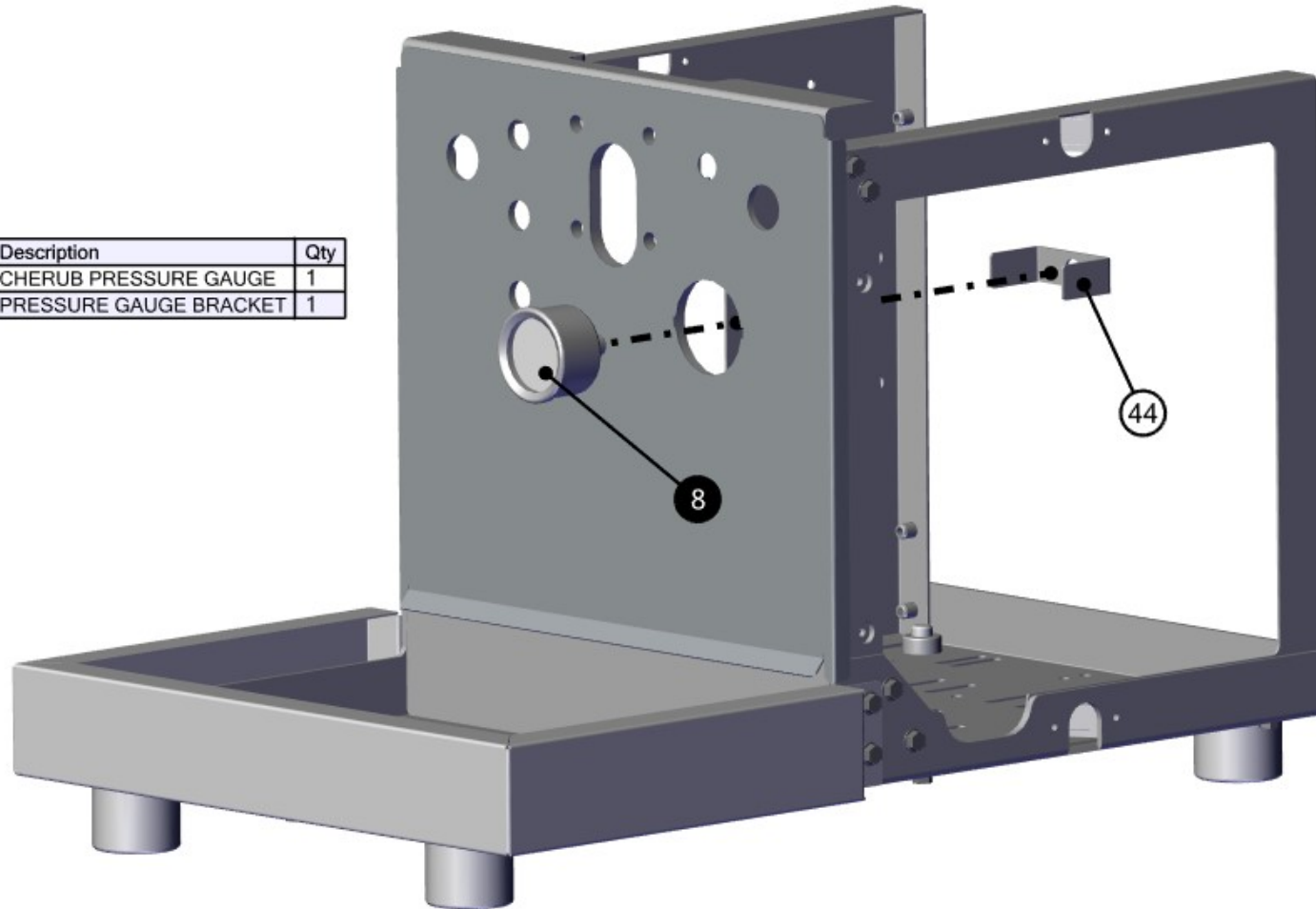
BOM ID	PartNo	Description	Qty
47	LON004-R	DRIP TRAY SUPPORT	1

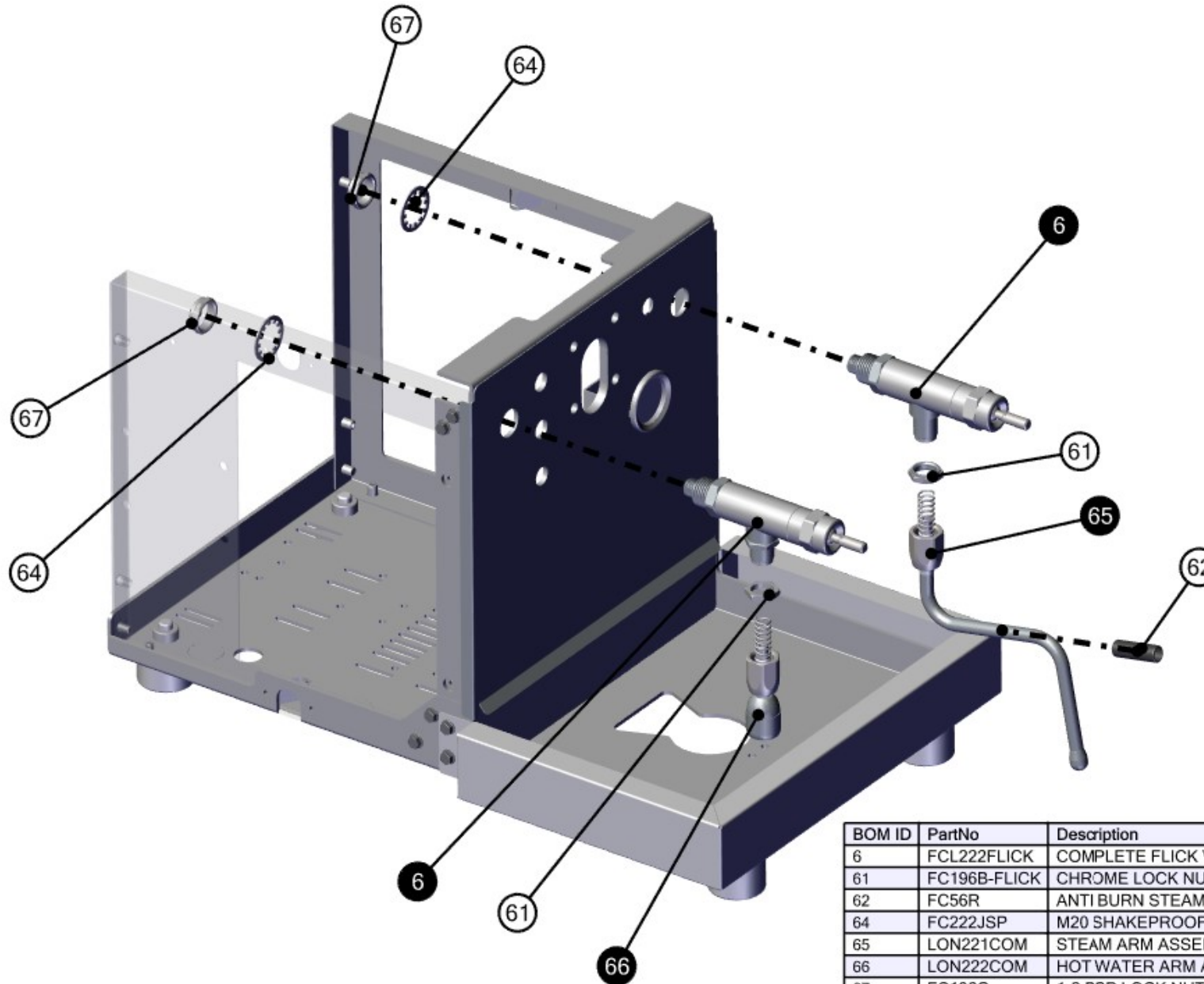




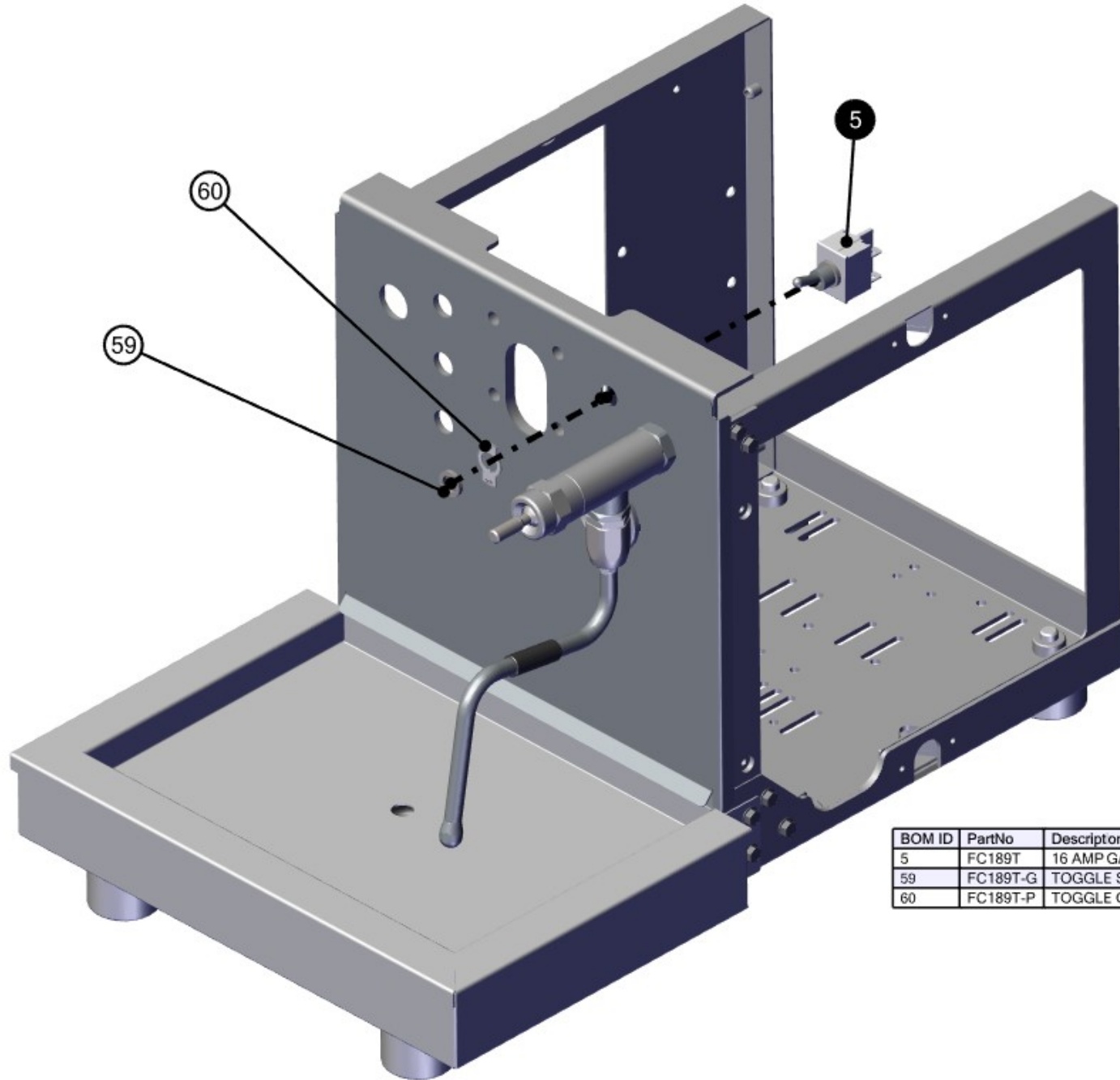
BOM ID	PartNo	Description	Qty
41	FC244LON	SPECIAL S/S FOOT 40DIA X 30mm M10	4

BOM ID	PartNo	Description	Qty
8	HEA179	CHERUB PRESSURE GAUGE	1
44	HEA179A	PRESSURE GAUGE BRACKET	1



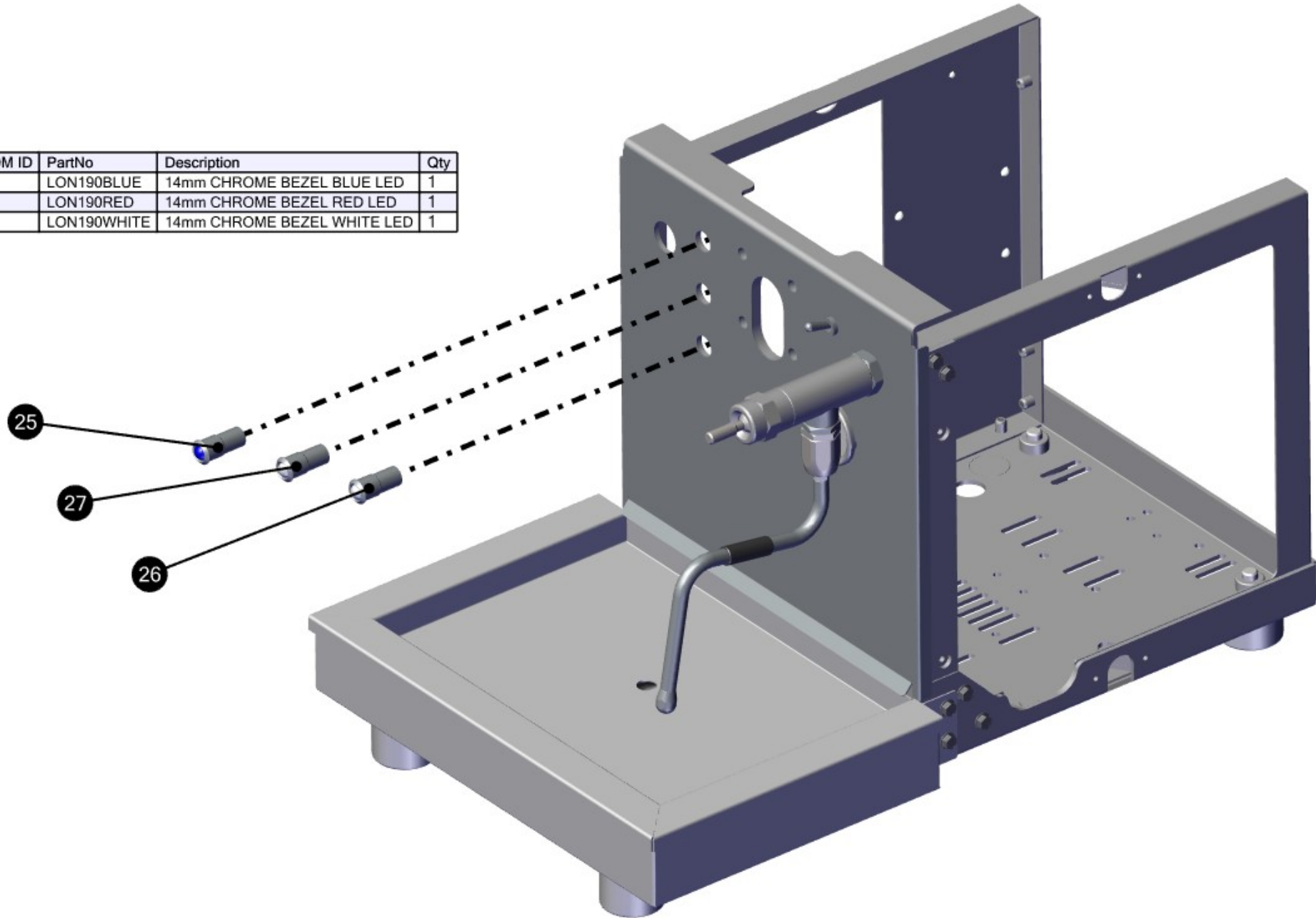


BOM ID	PartNo	Description	Qty
6	FCL222FLICK	COMPLETE FLICK VALVE	2
61	FC196B-FLICK	CHROME LOCK NUT FOR FLICK VLAVE	2
62	FC56R	ANTI BURN STEAM TUBE RUBBER SLEAVE	1
64	FC222JSP	M20 SHAKEPROOF WASHER	2
65	LON221COM	STEAM ARM ASSEMBLY	1
66	LON222COM	HOT WATER ARM ASSEMBLY	1
67	FC196C	1-2 BSP LOCK NUT CHROMED	2

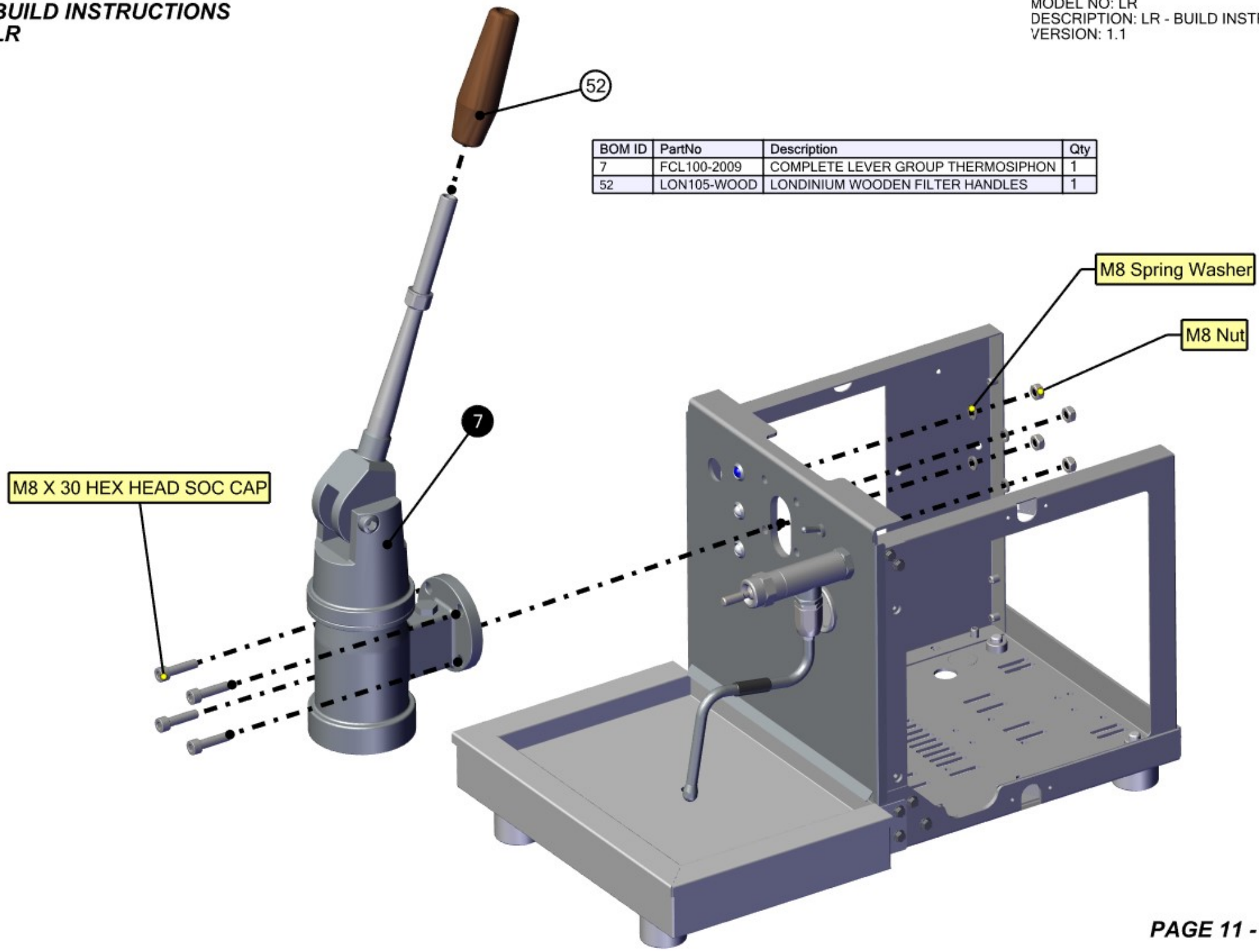


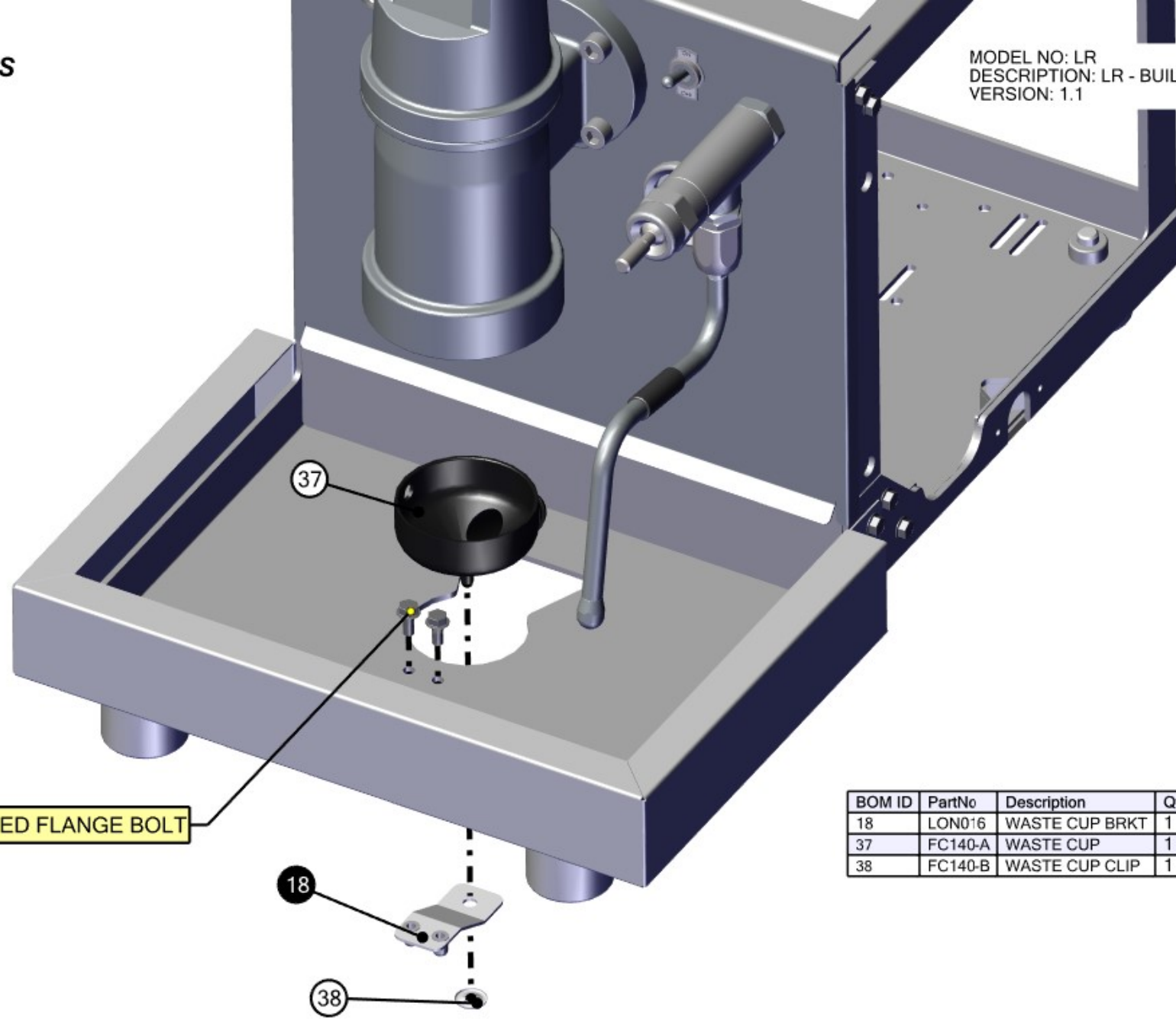
BOM ID	PartNo	Description	Qty
5	FC189T	16 AMP GAS/ELECTRIC SELECTOR TOGGLE SWITCH	1
59	FC189T-G	TOGGLE SWITCH LOCK NUT	1
60	FC189T-P	TOGGLE ON-OFF SWITCH PLATE	1

BOM ID	PartNo	Description	Qty
25	LON190BLUE	14mm CHROME BEZEL BLUE LED	1
26	LON190RED	14mm CHROME BEZEL RED LED	1
27	LON190WHITE	14mm CHROME BEZEL WHITE LED	1



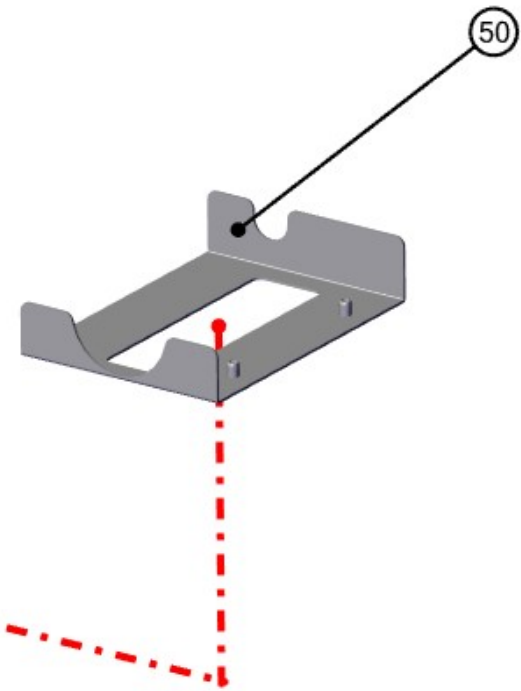
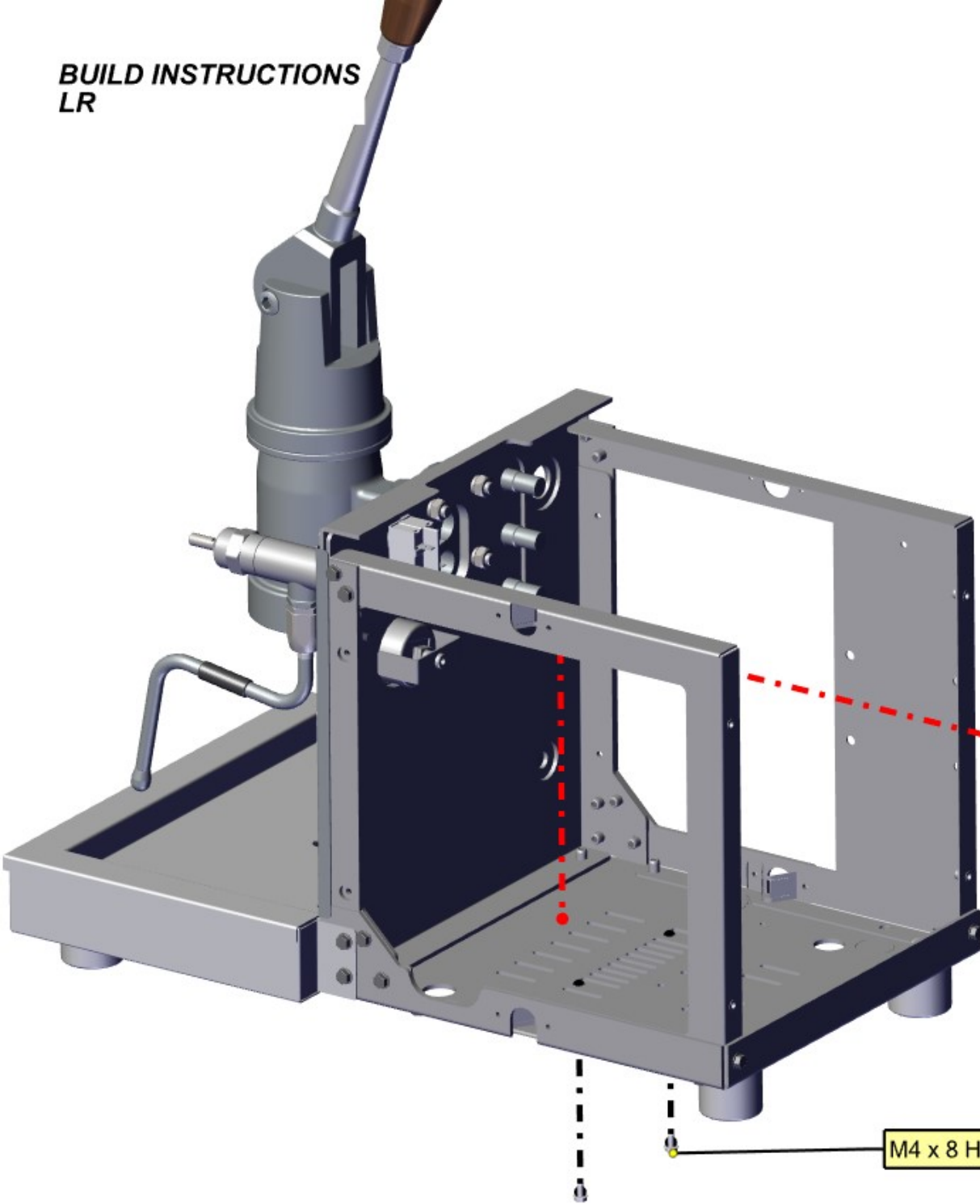
BOM ID	PartNo	Description	Qty
7	FCL100-2009	COMPLETE LEVER GROUP THERMOSIPHON	1
52	LON105-WOOD	LONDIUM WOODEN FILTER HANDLES	1





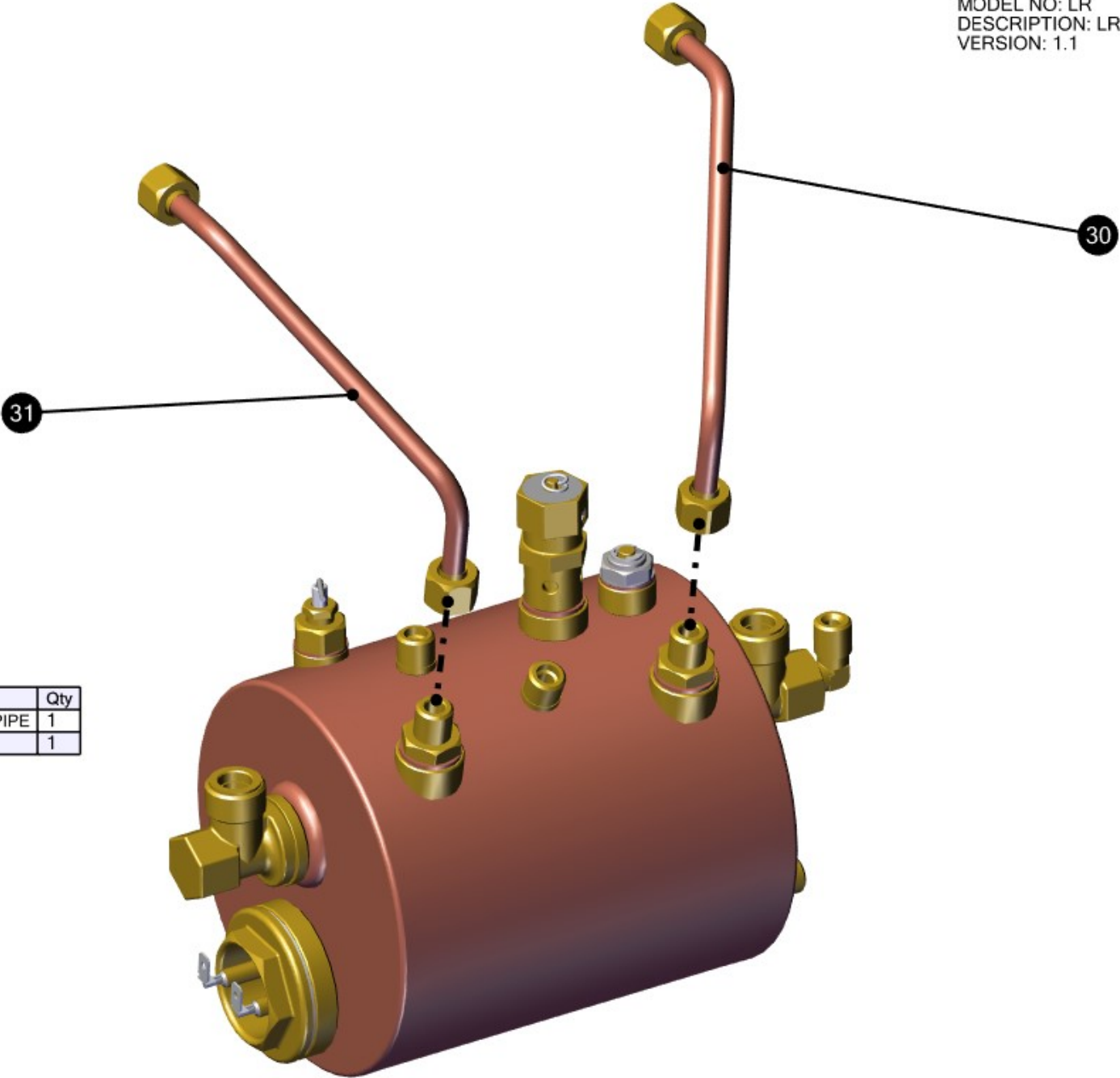
M5 X 12 HEX SERATED FLANGE BOLT

BOM ID	PartNo	Description	Qty
18	LON016	WASTE CUP BRKT	1
37	FC140-A	WASTE CUP	1
38	FC140-B	WASTE CUP CLIP	1

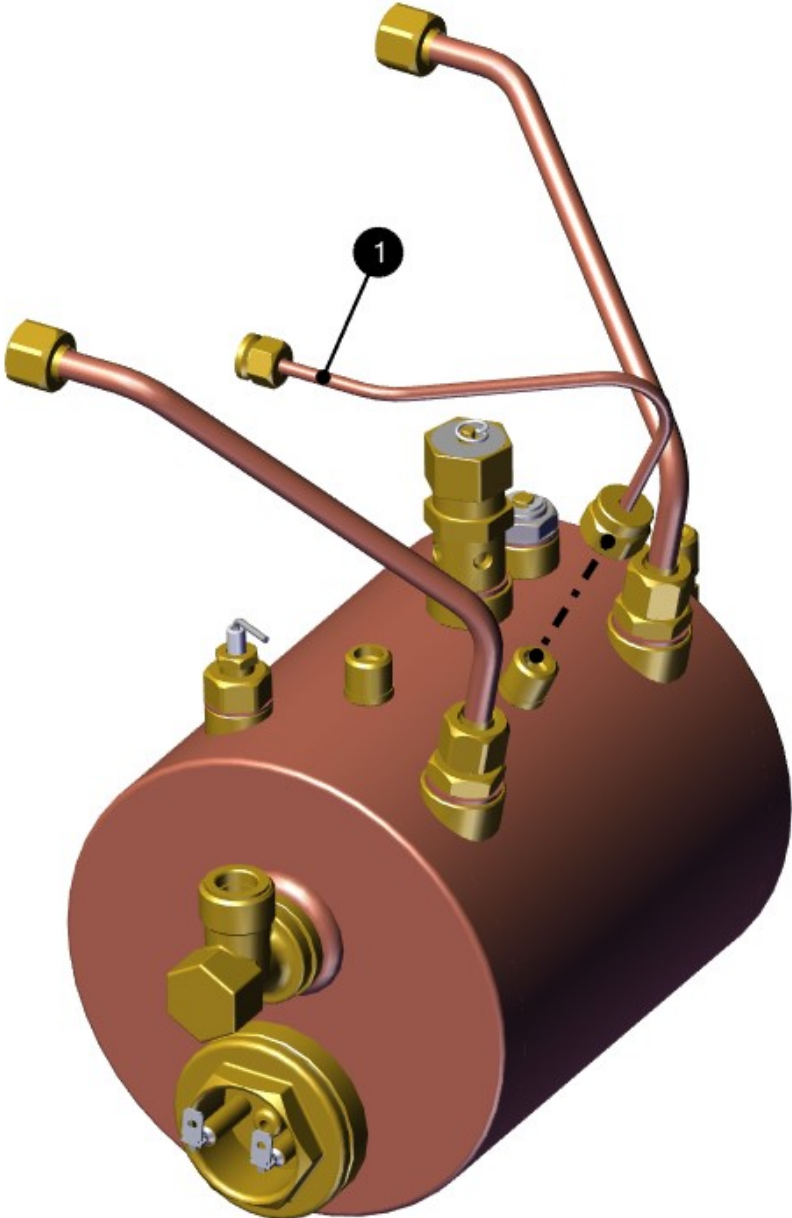


BOM ID	PartNo	Description	Qty
50	LON018	LONDINIUM BOILER CRADLE	1

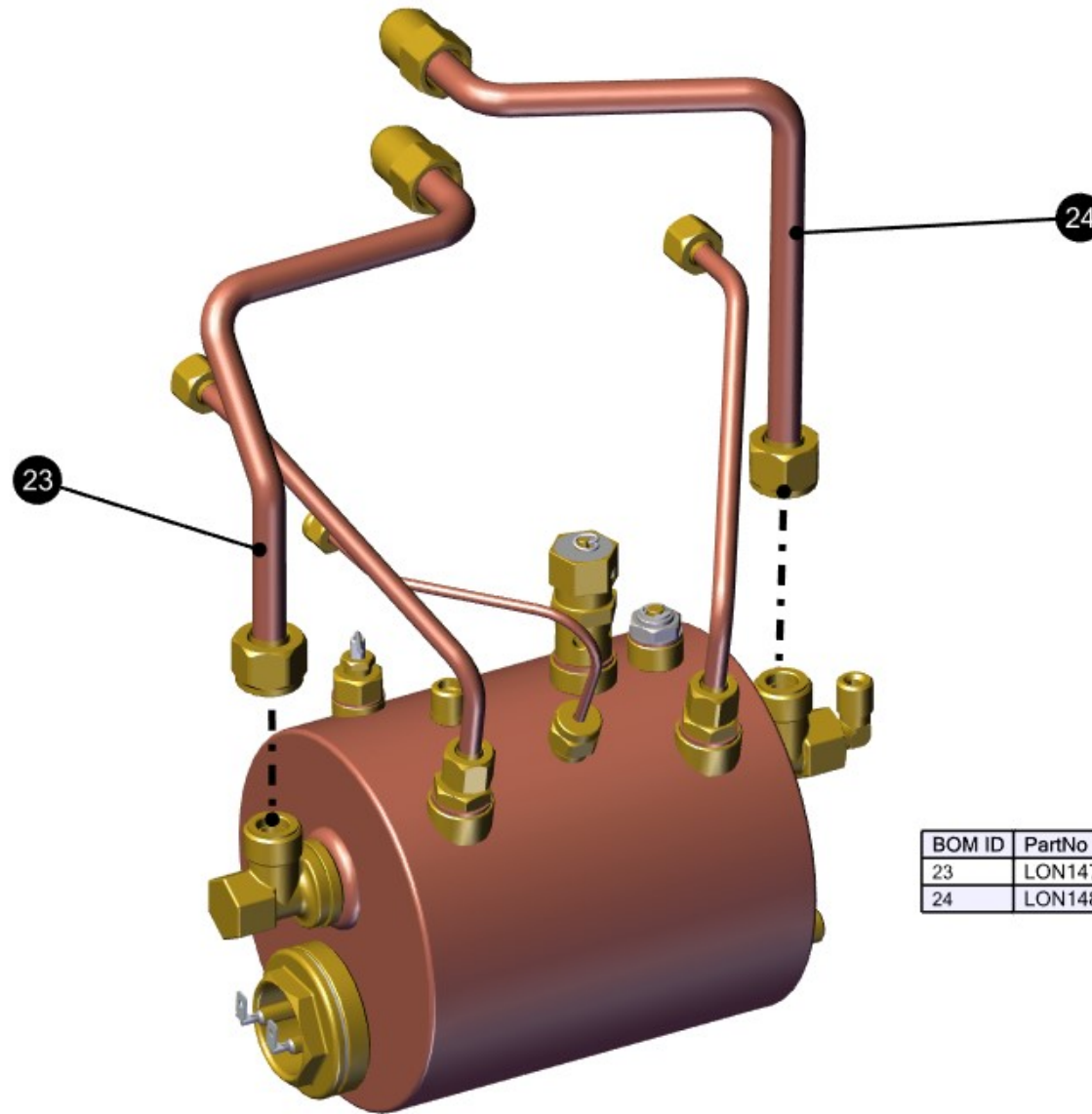
M4 x 8 HEX SERATED FLANGE BOLT



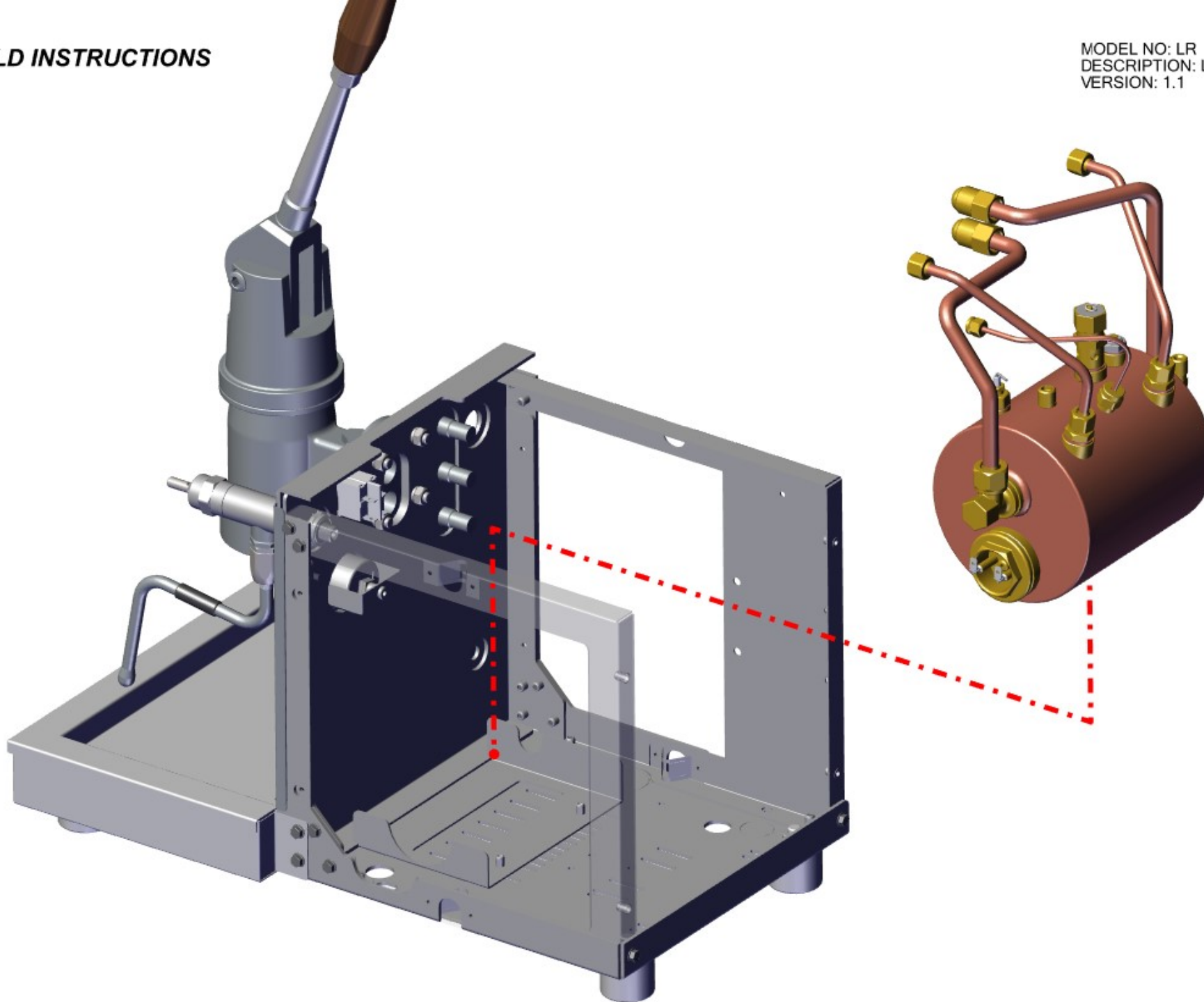
BOM ID	PartNo	Description	Qty
30	LON-149-17	HOT WATER PIPE	1
31	LON-150-17	STEAM PIPE	1



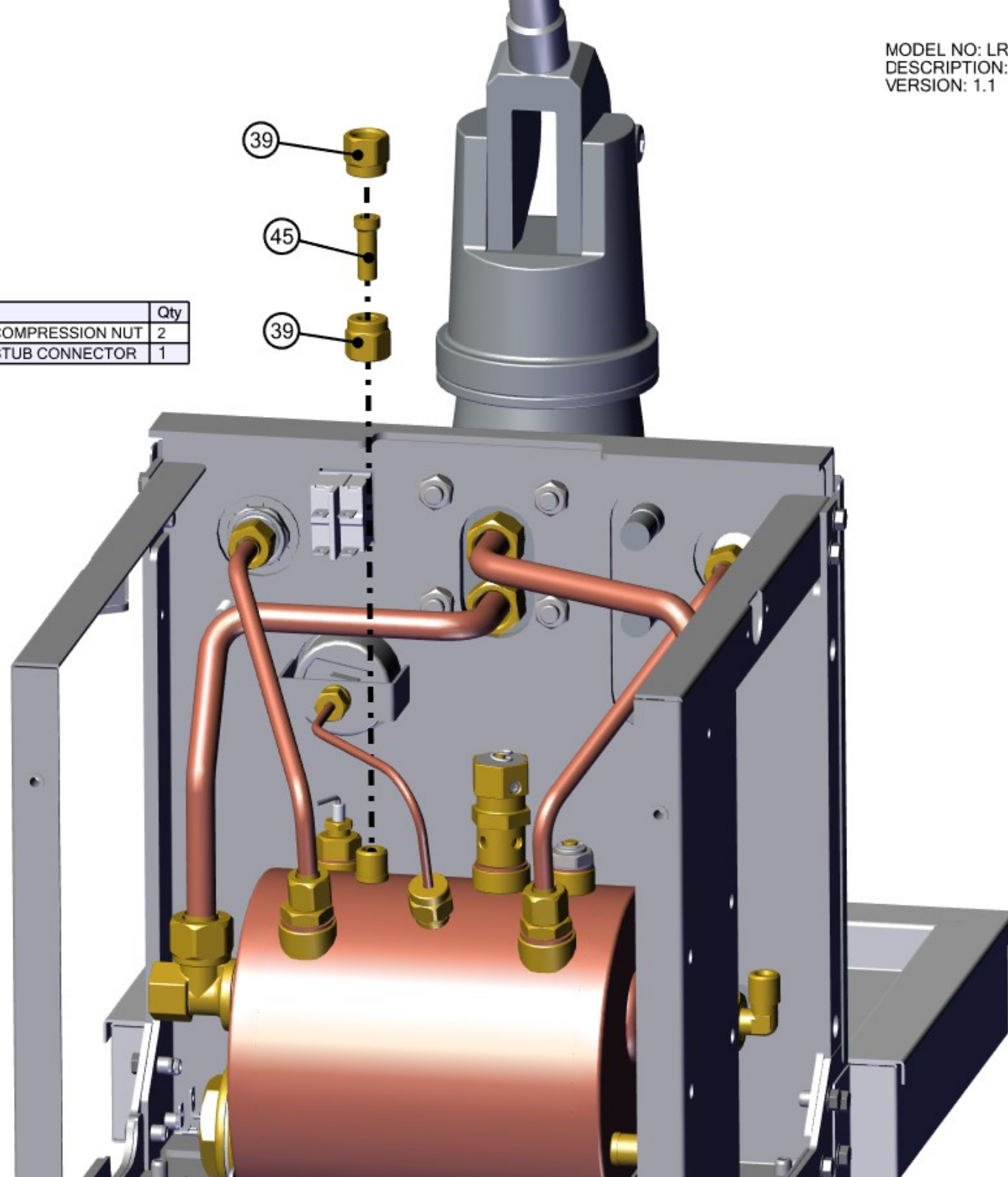
BOM ID	PartNo	Description	Qty
1	CHE151	BOILER TO PRESSURE GAUGE PIPE	1



BOM ID	PartNo	Description	Qty
23	LON147	RH HEAT EX TO BOTTOM GROUP PIPE	1
24	LON148	LH HEAT EX TOP GROUP PIPE	1

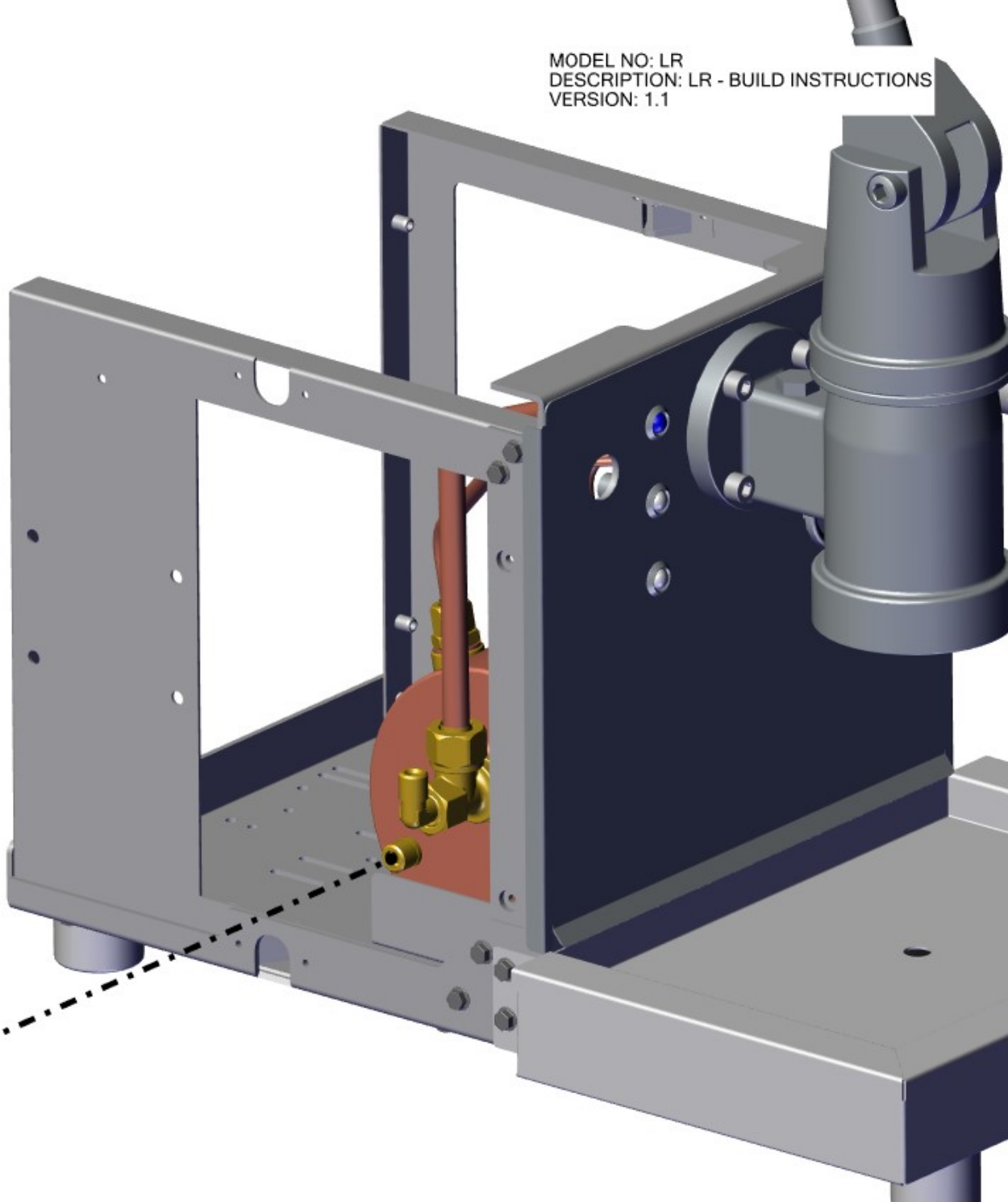


BOM ID	PartNo	Description	Qty
39	FC146AB	1-4BSP TO 8mm COMPRESSION NUT	2
45	HEA74	1/4 TO 1/4 TUBE STUB CONNECTOR	1

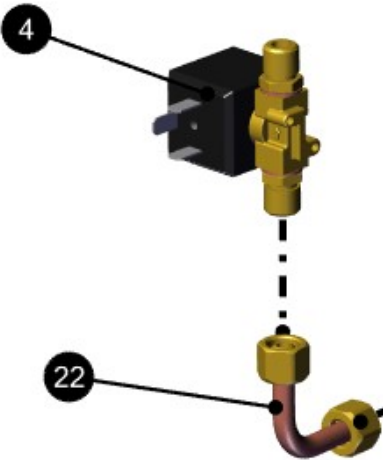


BUILD INSTRUCTIONS
LR

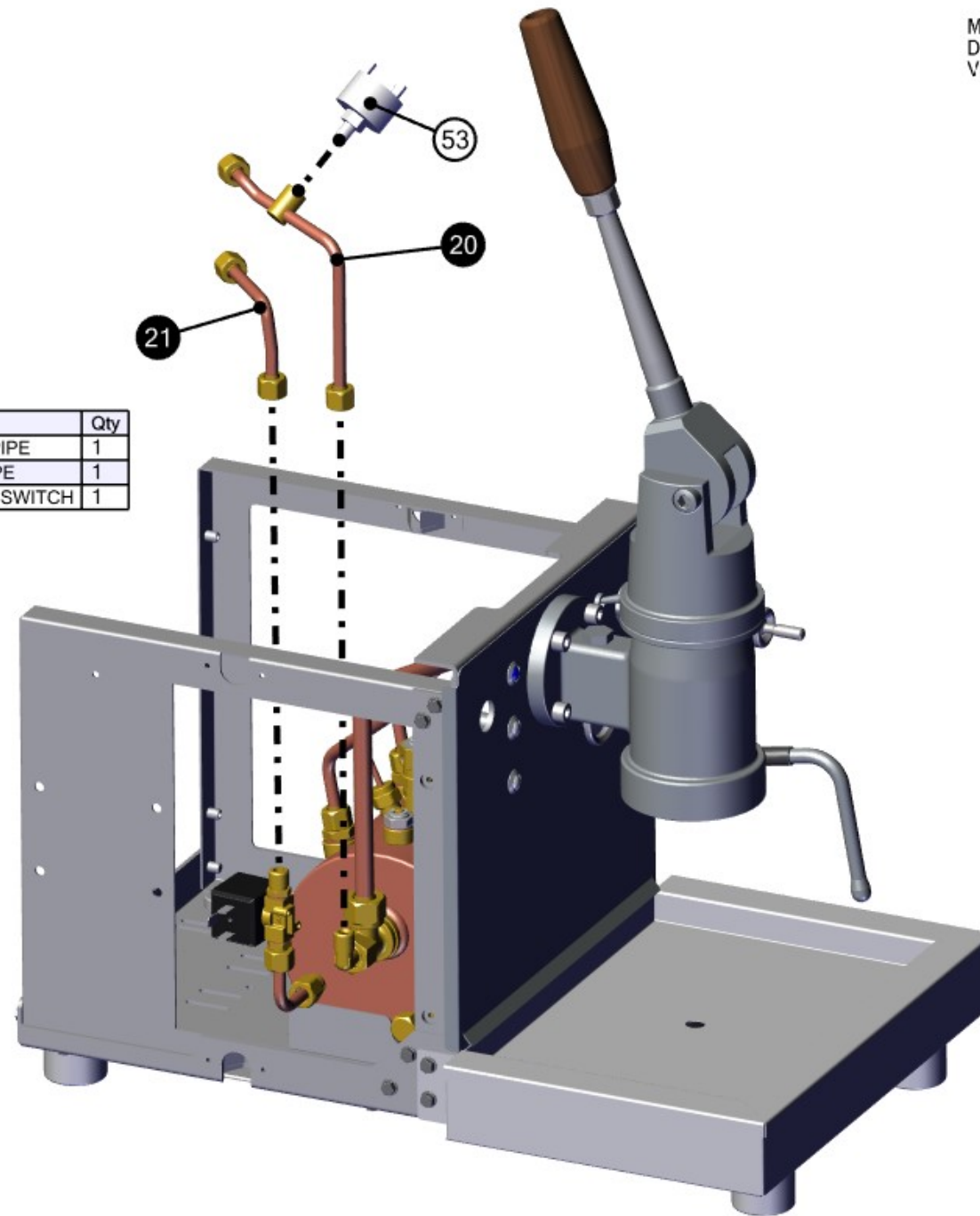
MODEL NO: LR
DESCRIPTION: LR - BUILD INSTRUCTIONS
VERSION: 1.1



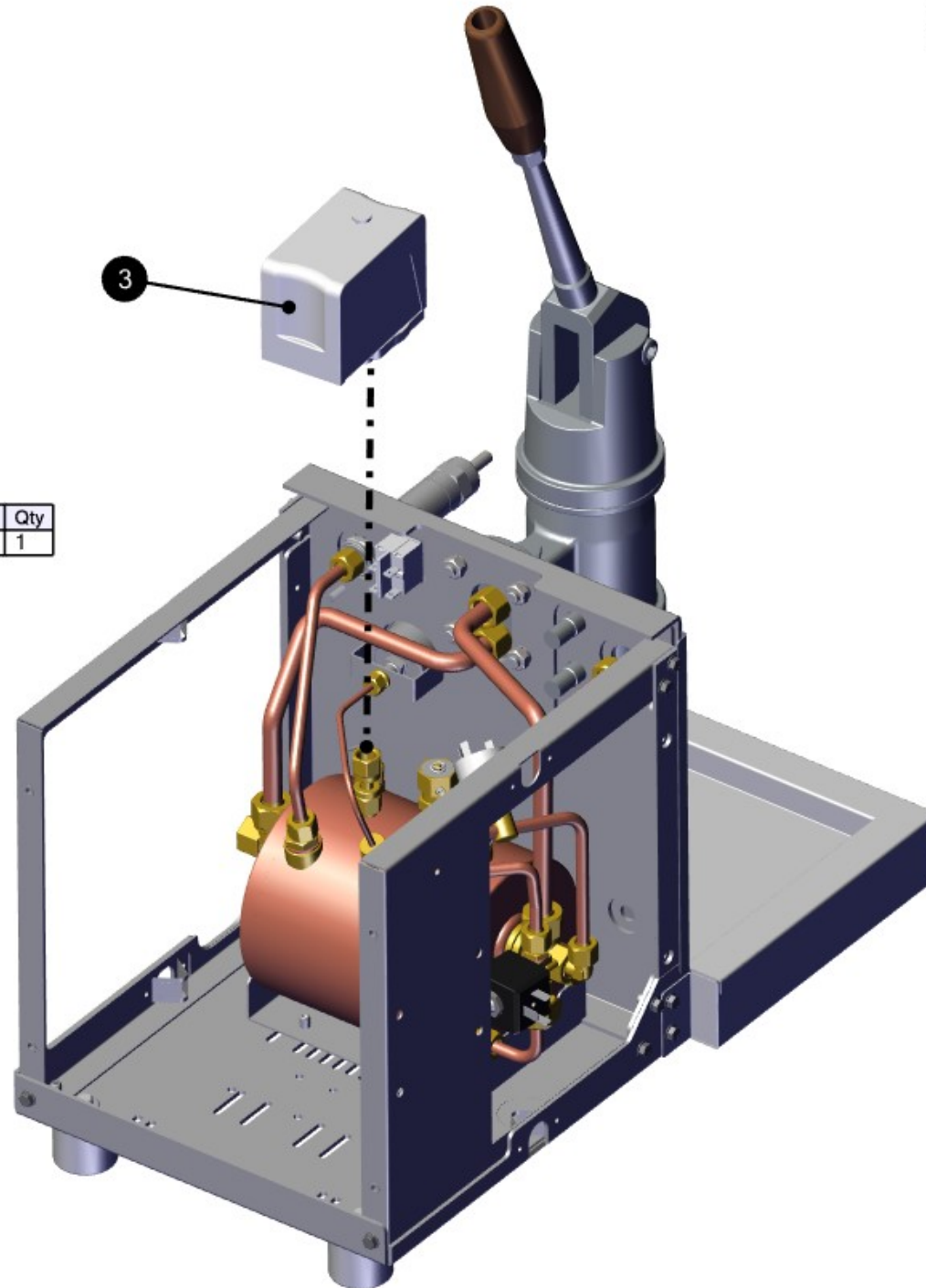
BOM ID	PartNo	Description	Qty
4	FC171COM-16	COMPLETE INLET SOLENOID WITH FITTINGS	1
22	LON146-B	INLET TO BOILER PIPE	1

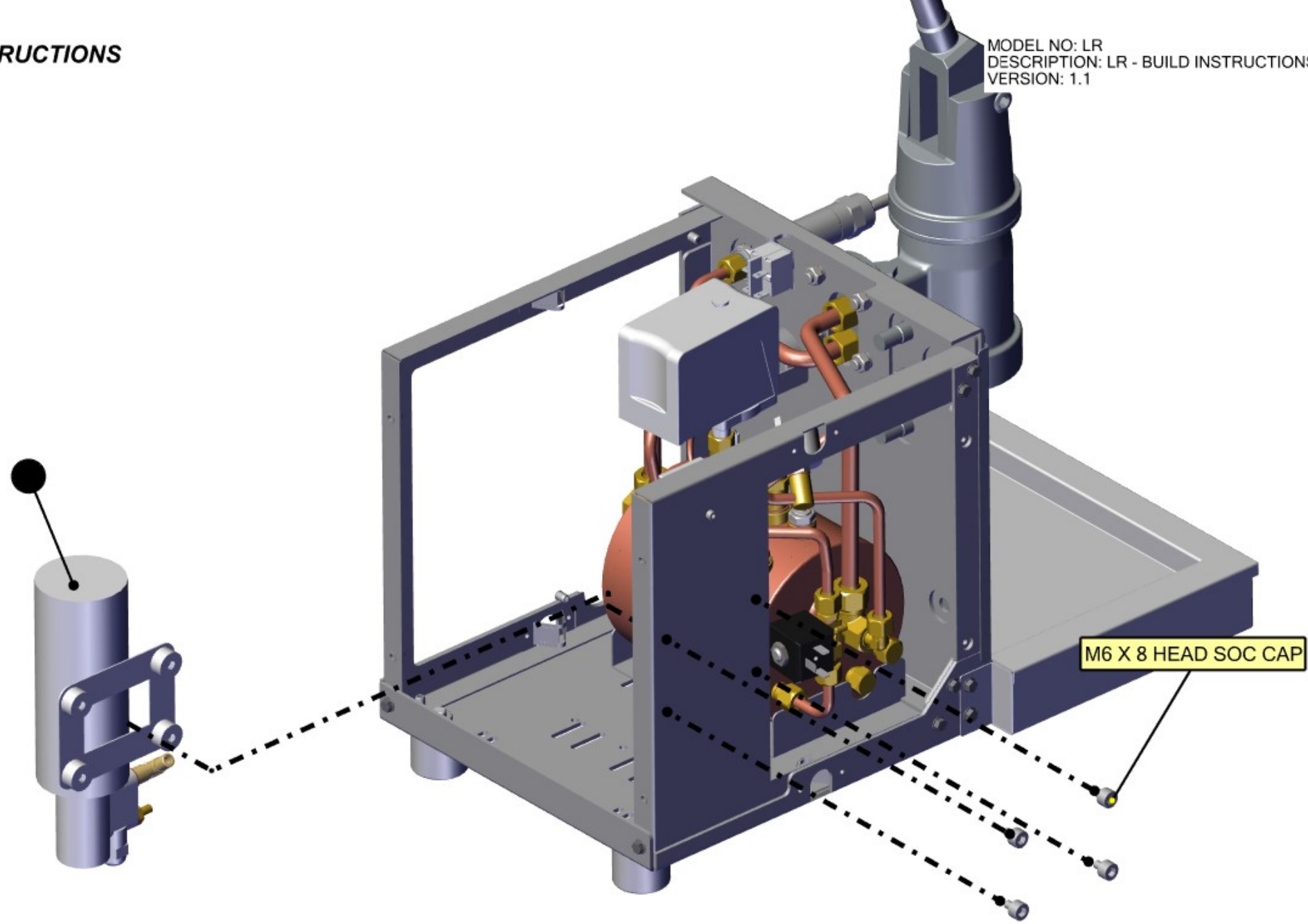


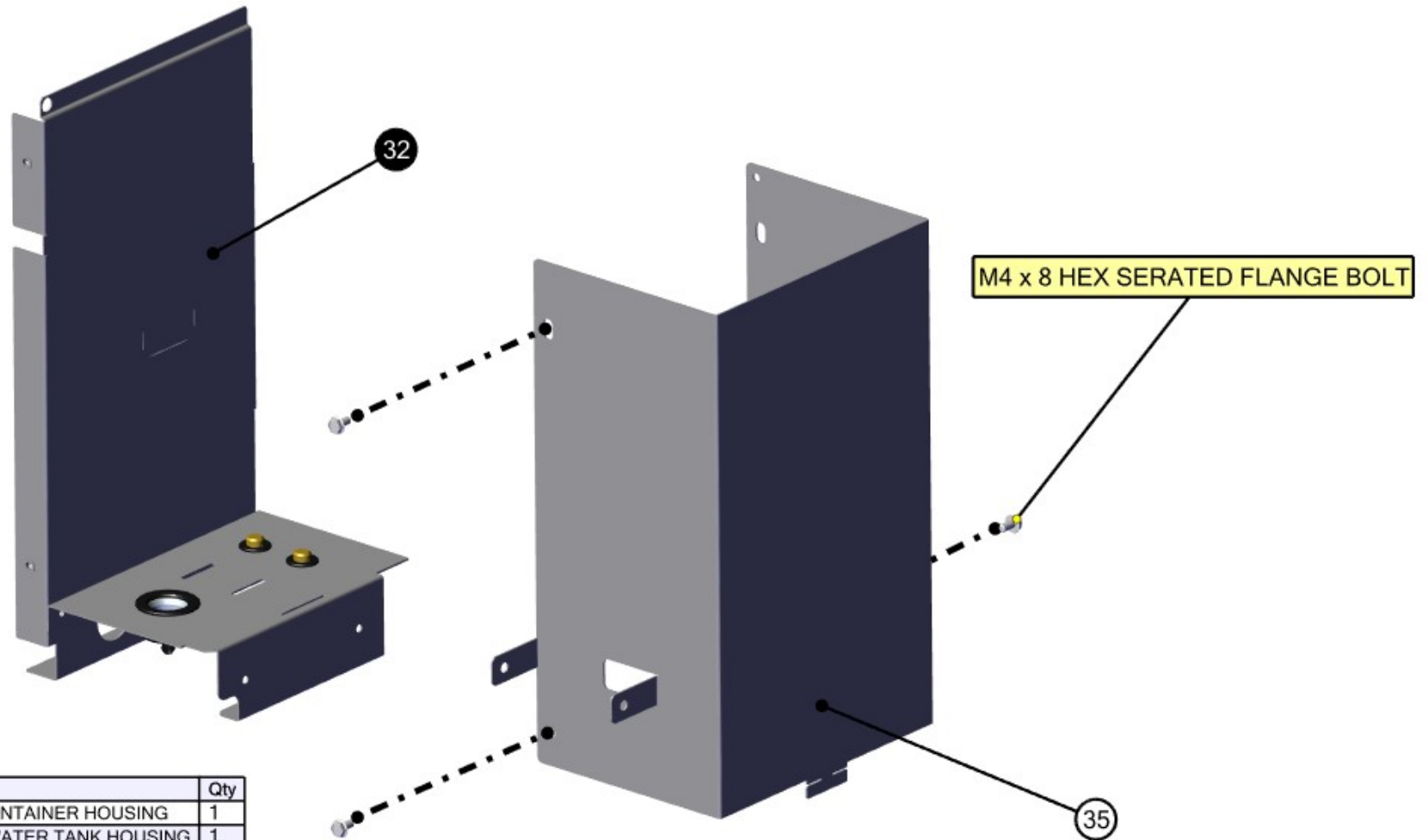
BOM ID	PartNo	Description	Qty
20	LON143	MANIFOLD TO BOILER PIPE	1
21	LON146-A	MANIFOLD TO INLET PIPE	1
53	LON169	LONDINIUM PRESSURE SWITCH	1



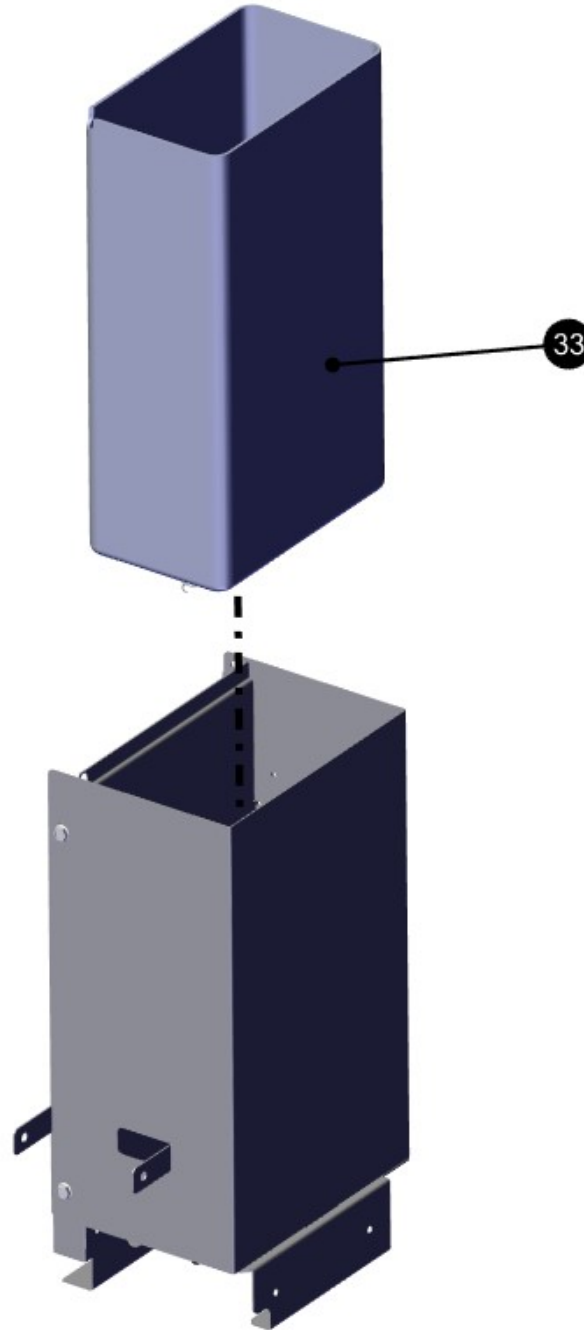
BOM ID	PartNo	Description	Qty
3	FC169	PRESSURE SWITCH	1



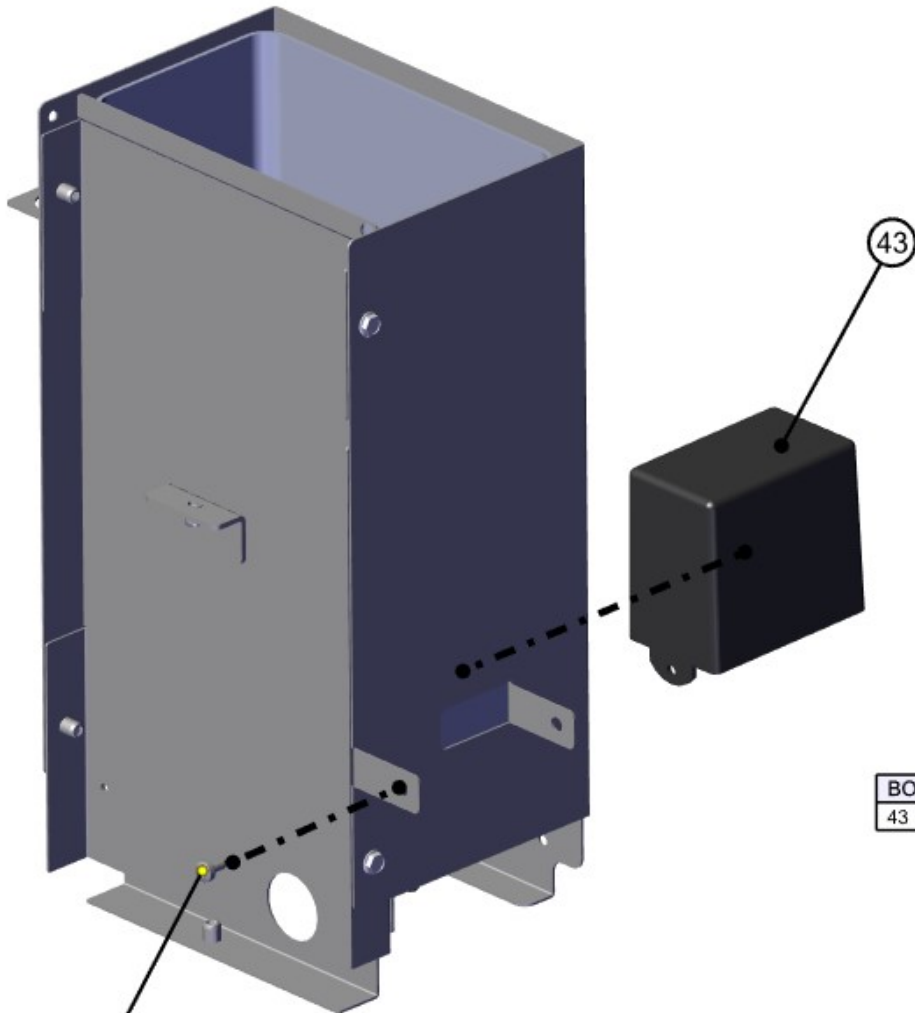




BOM ID	PartNo	Description	Qty
32	PIC005	WATER CONTAINER HOUSING	1
35	CHE005	CHERUB WATER TANK HOUSING	1

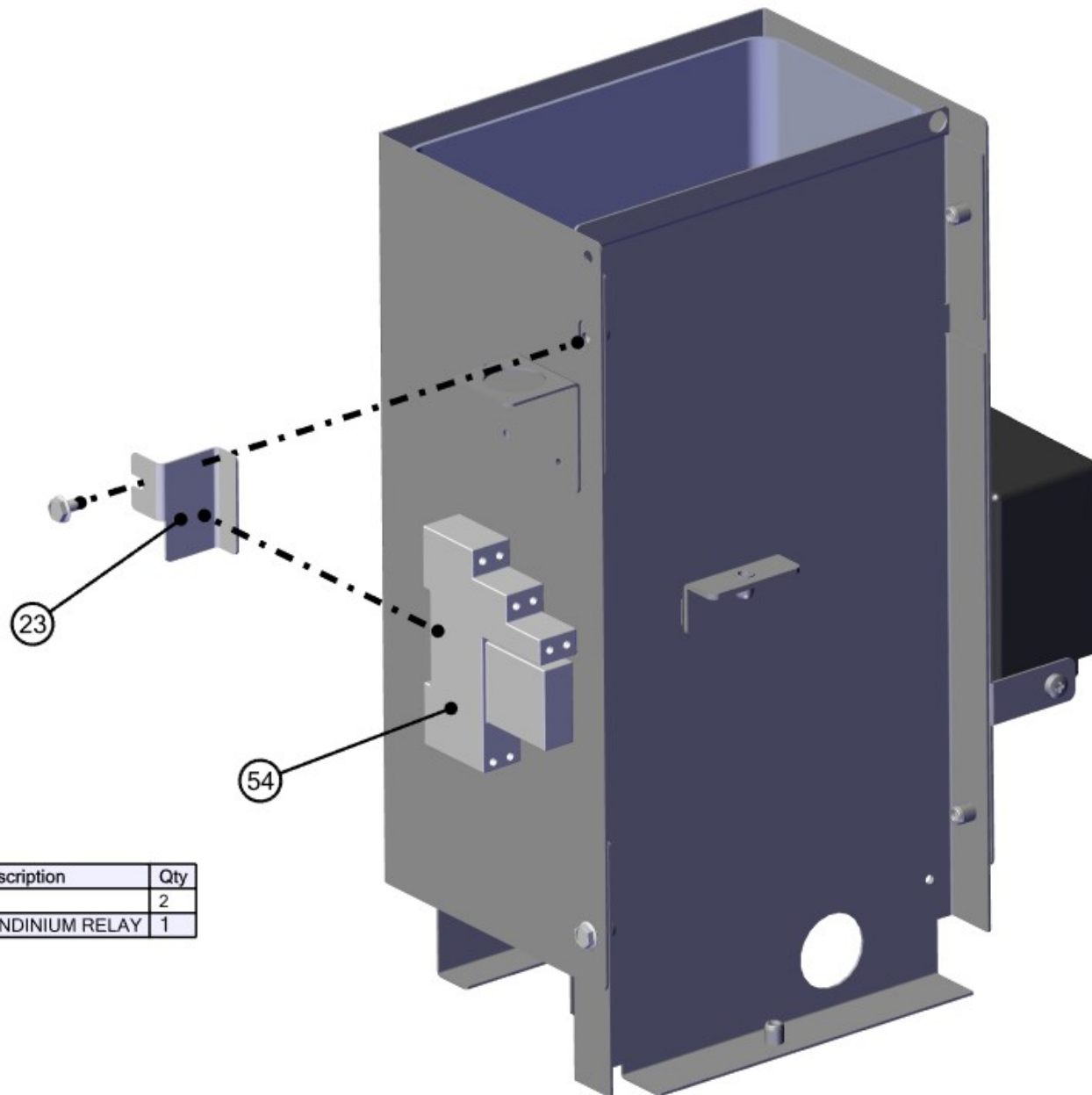


BOM ID	PartNo	Description	Qty
33	PIC082-COM	WATER TANK COMPLETE	1

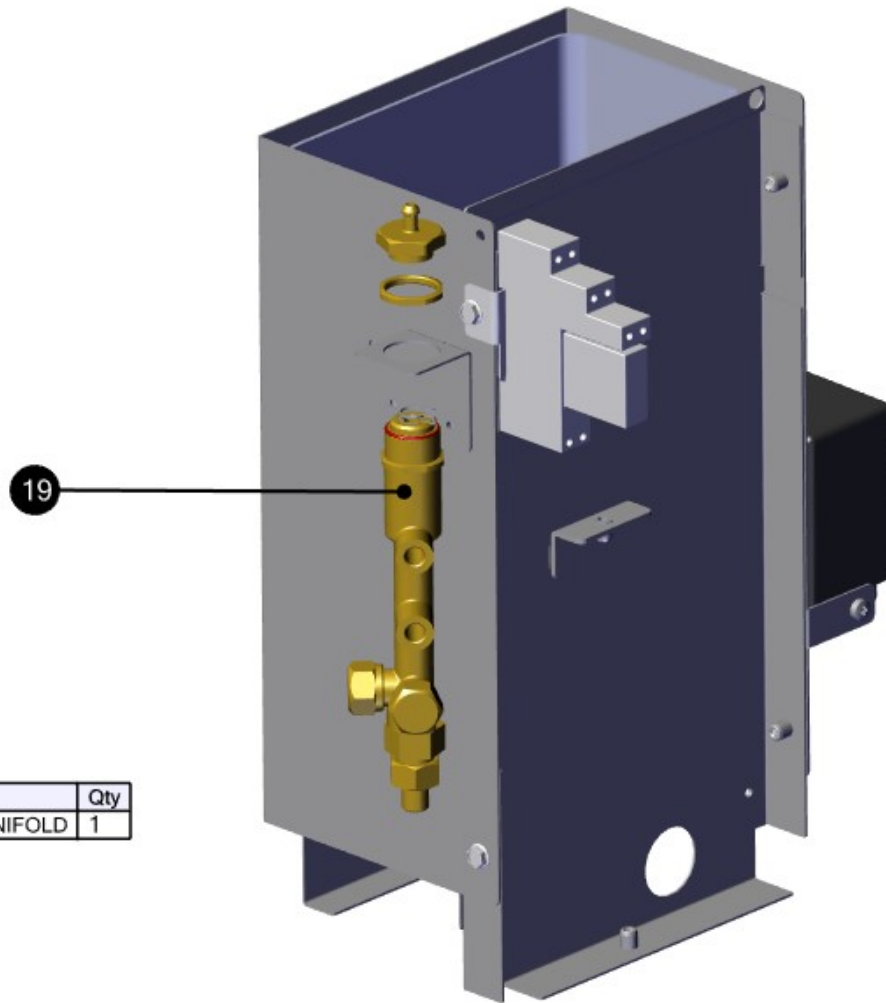


NO6 X 3-8 POSI PAN HEAD SELF TAPPING S-STEEL

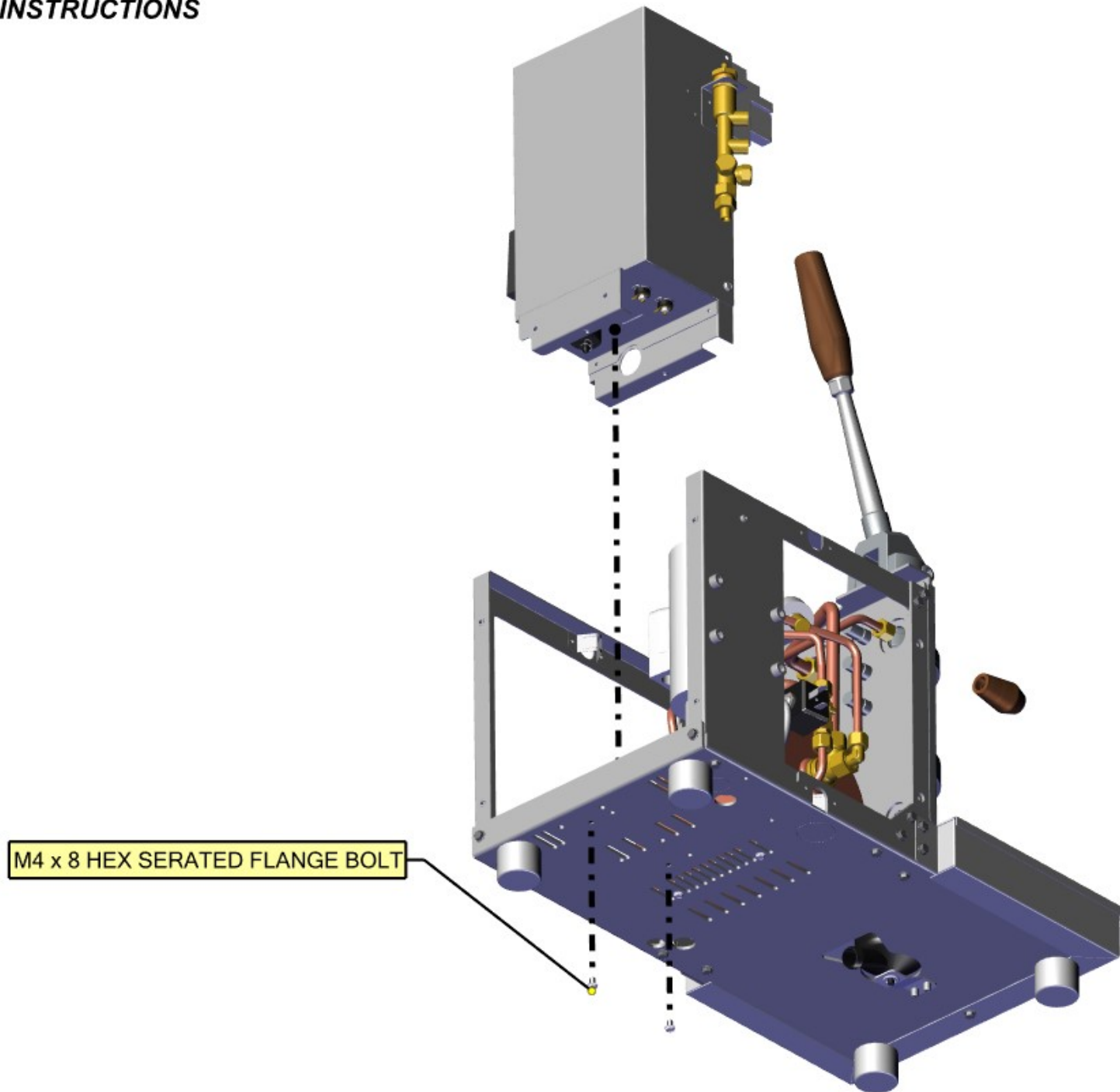
BOM ID	PartNo	Description	Qty
43	HEA172	MICRC Z CONTROL BOX	1

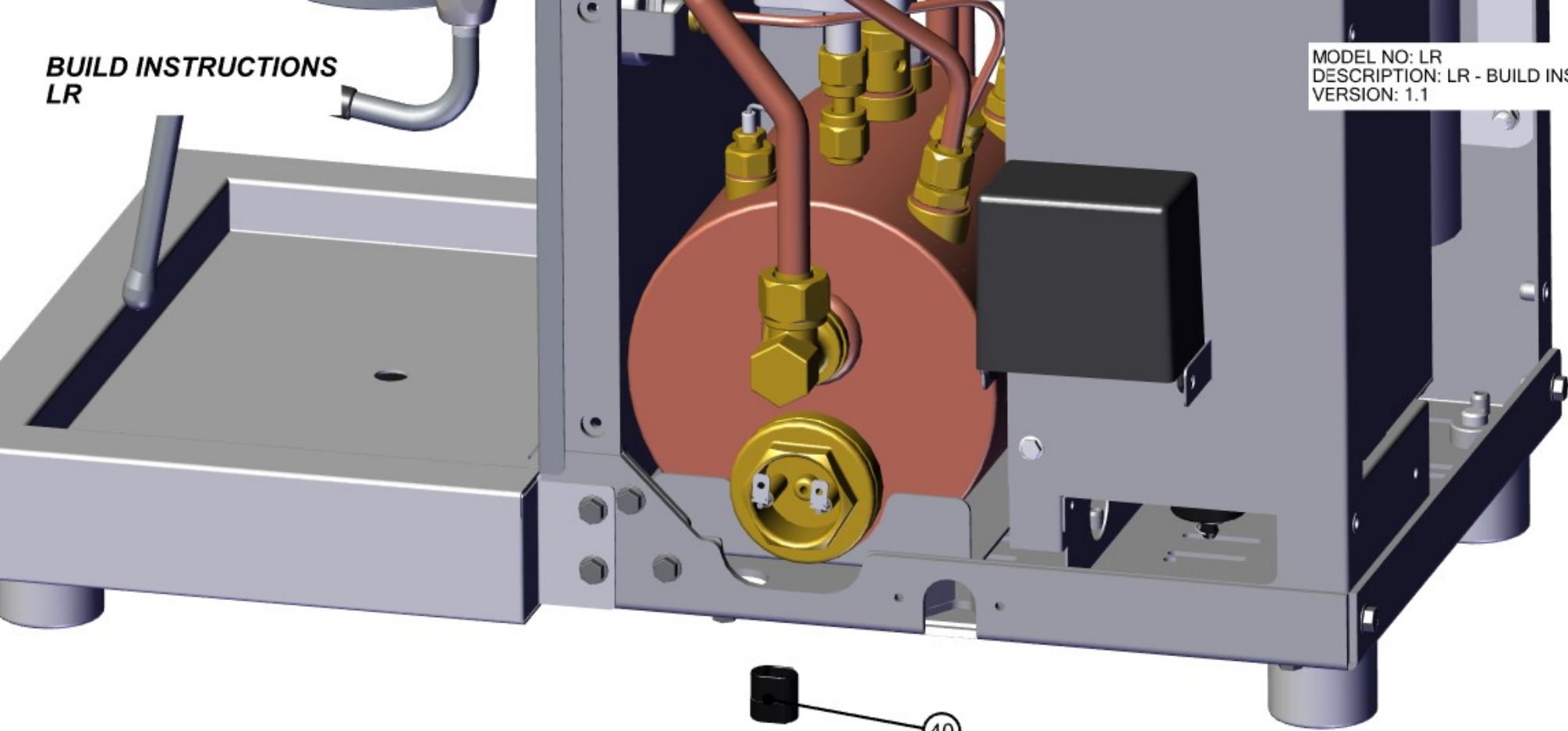


BOM ID	PartNo	Description	Qty
23	LON147		2
54	LON174	LONDINIUM RELAY	1

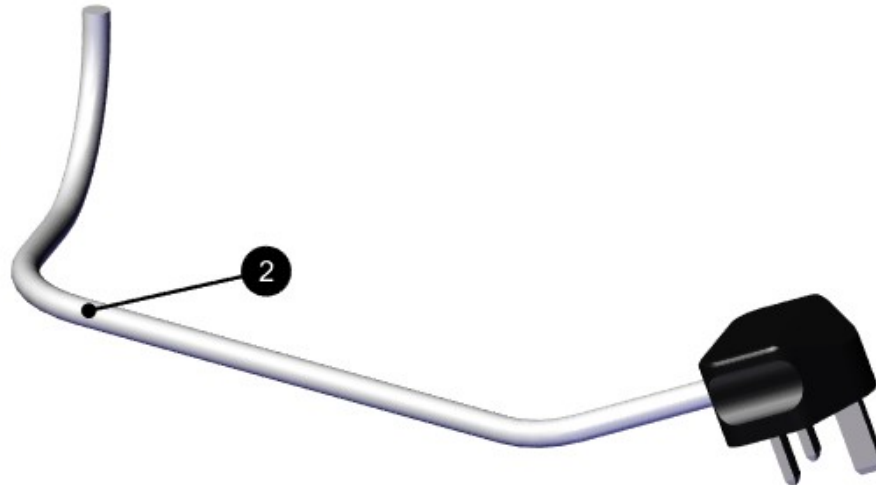


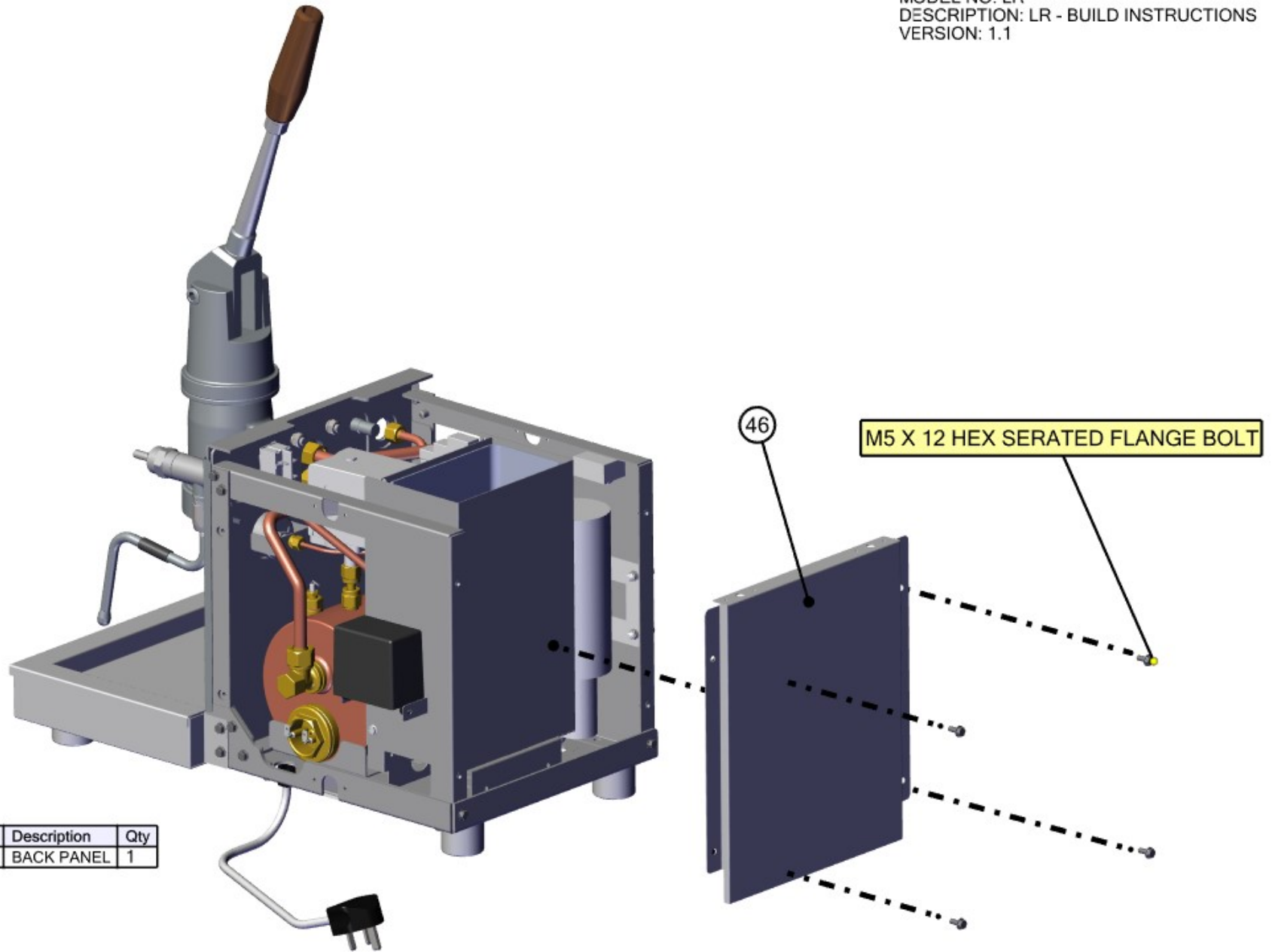
BOM ID	PartNo	Description	Qty
19	LON138COM	COMPLETE MANIFOLD	1



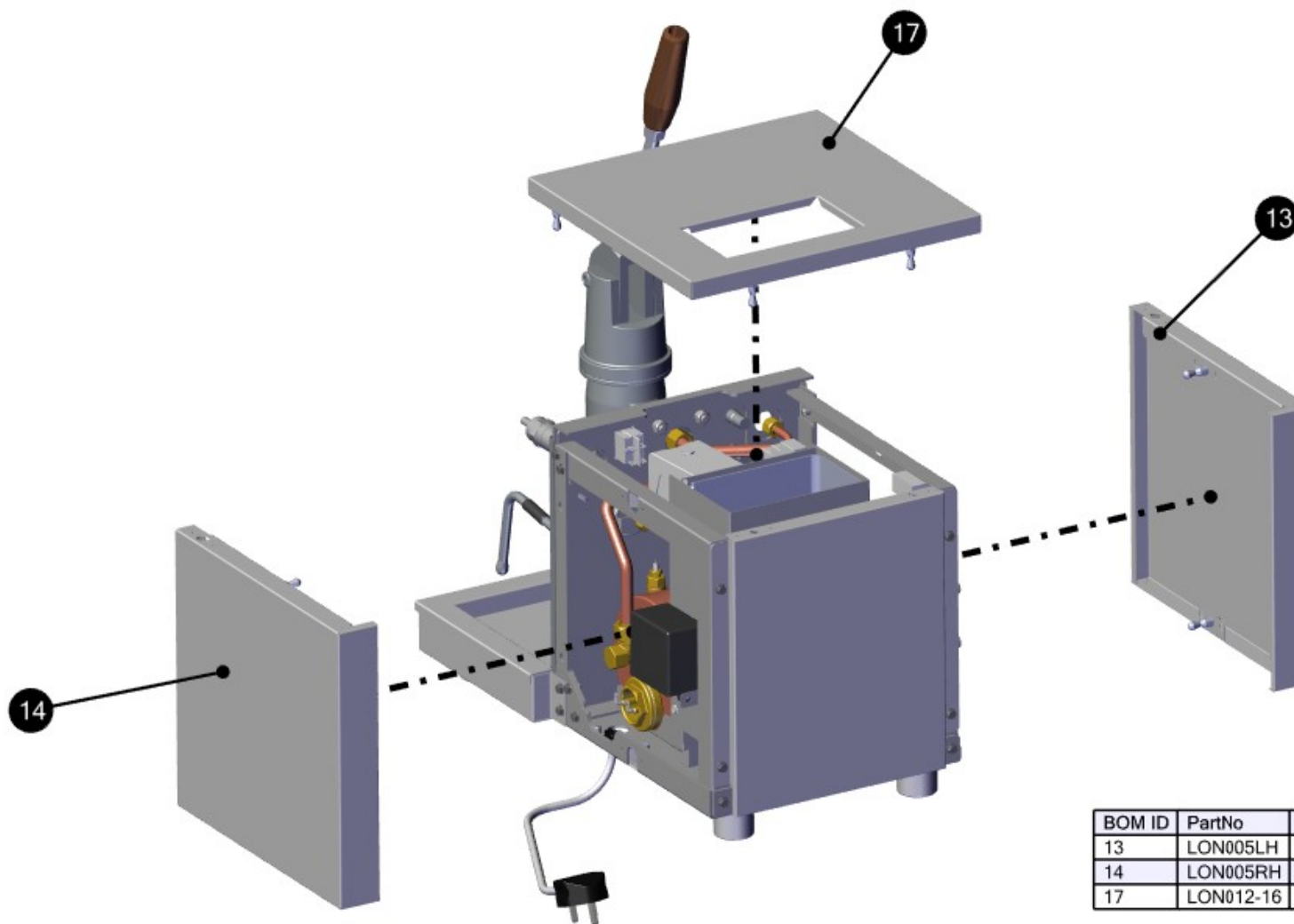


BOM ID	PartNo	Description	Qty
2	FC158R	13A UK MOULDED PLUG LEAD (PVC FOR DOMESTIC)	1
40	FC157D	SMALL CABLE GLAND	1





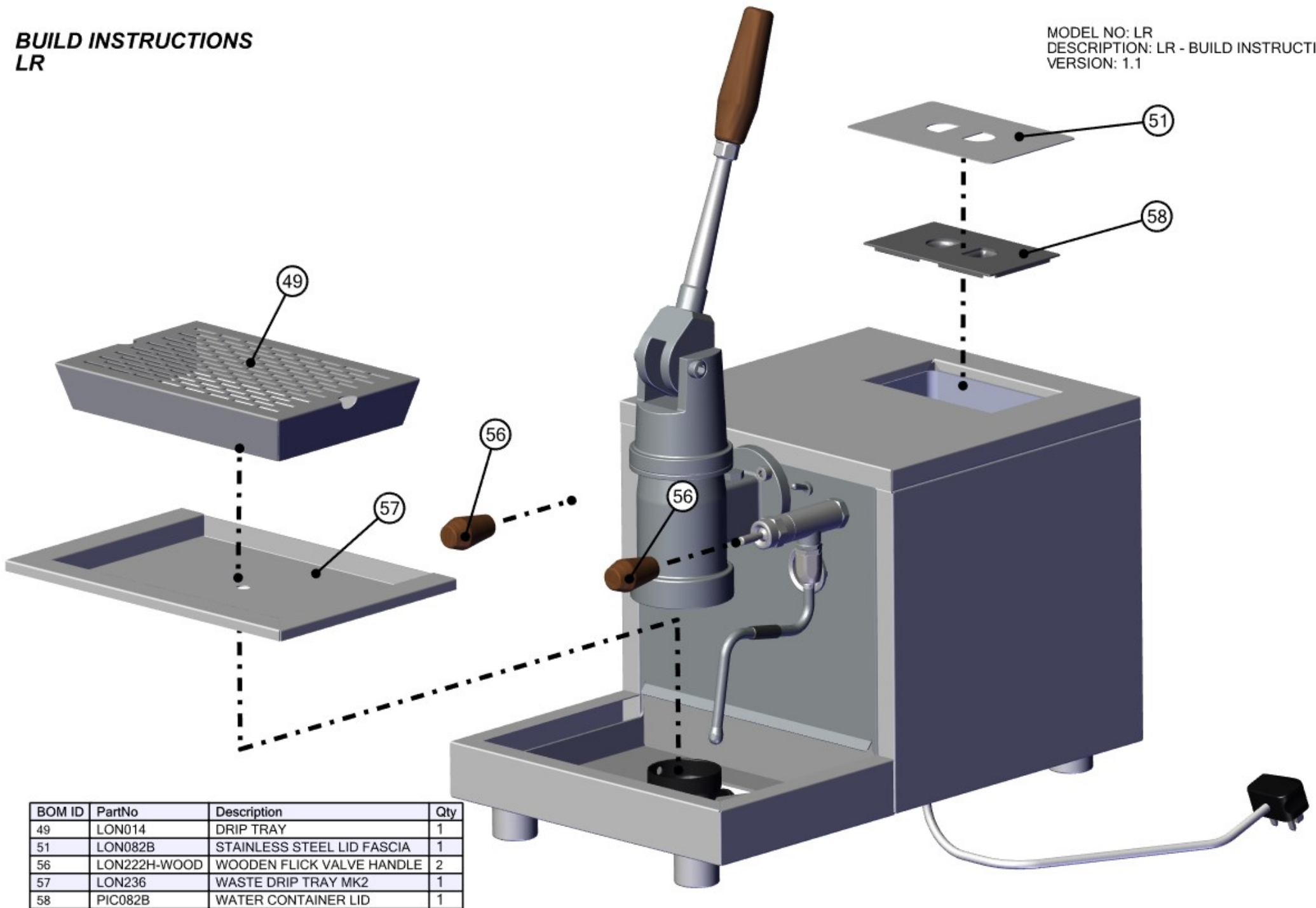
BOM ID	PartNo	Description	Qty
46	LON003-R	BACK PANEL	1



BOM ID	PartNo	Description	Qty
13	LON005LH	SIDE PANEL LH	1
14	LON005RH	SIDE PANEL RH	1
17	LON012-16	TOP CUP TRAY	1

BUILD INSTRUCTIONS
LR

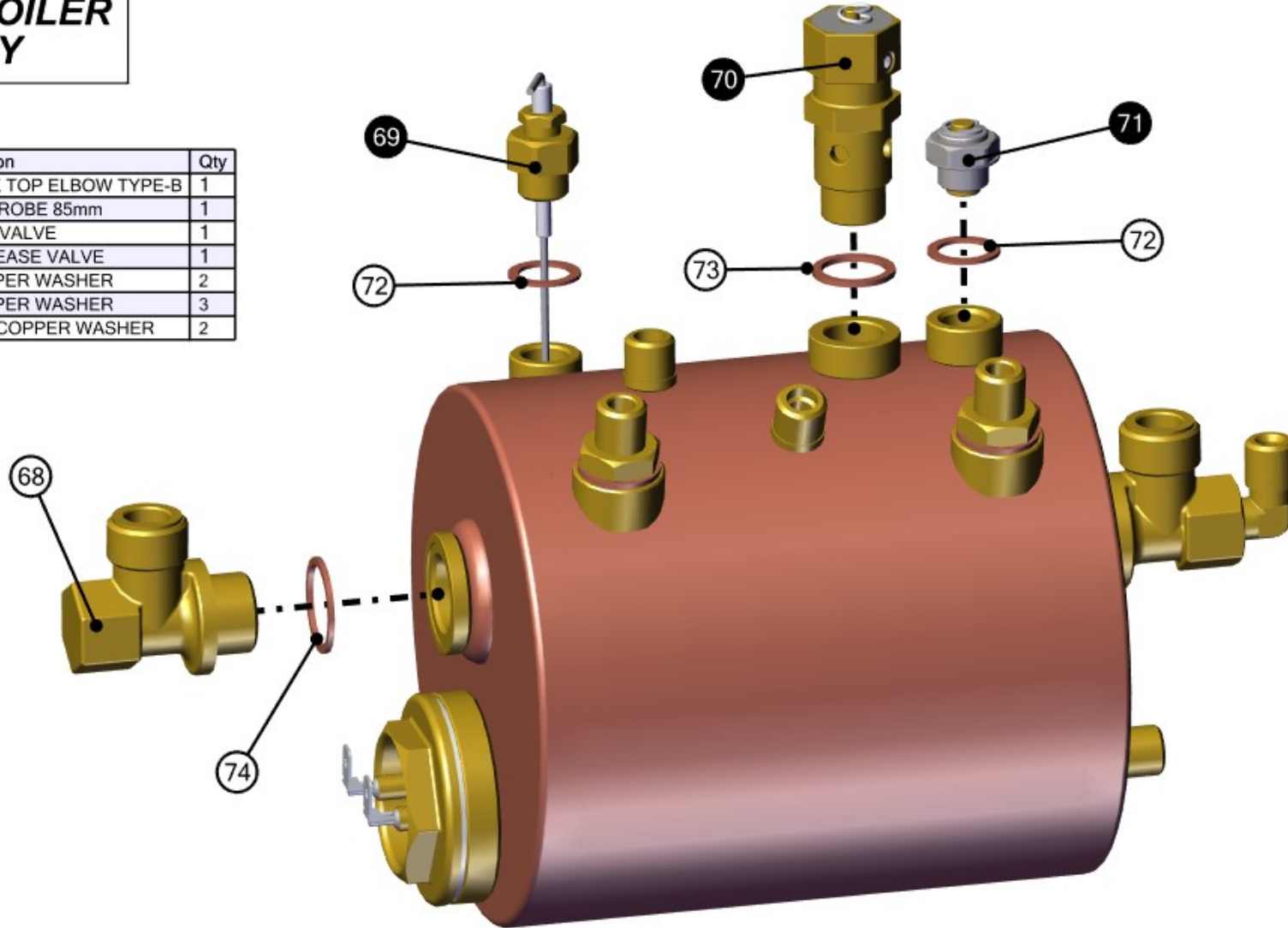
MODEL NO: LR
DESCRIPTION: LR - BUILD INSTRUCTIONS
VERSION: 1.1



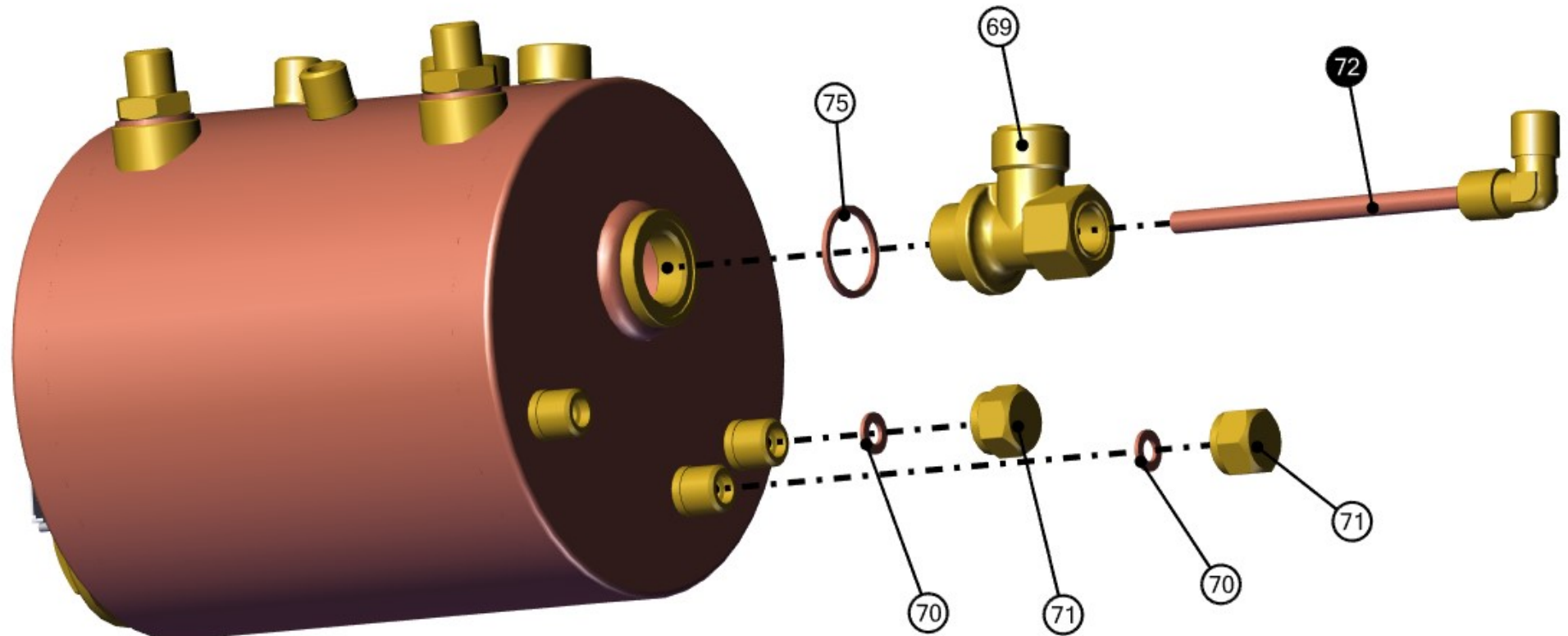
BOM ID	PartNo	Description	Qty
49	LON014	DRIP TRAY	1
51	LON082B	STAINLESS STEEL LID FASCIA	1
56	LON222H-WOOD	WOODEN FLICK VALVE HANDLE	2
57	LON236	WASTE DRIP TRAY MK2	1
58	PIC082B	WATER CONTAINER LID	1

**HEA80-LON1 BOILER
SUB ASSEMBLY**

BOM ID	PartNo	Description	Qty
68	FC142	HEAT EX TOP ELBOW TYPE-B	1
69	FC191-85	LEVEL PROBE 85mm	1
70	UNI134	SAFTEY VALVE	1
71	FC135	AIR RELEASE VALVE	1
72	FC76	1/4 COPPER WASHER	2
73	FC77	3/8 COPPER WASHER	3
74	FC78	1/2 BSP COPPER WASHER	2



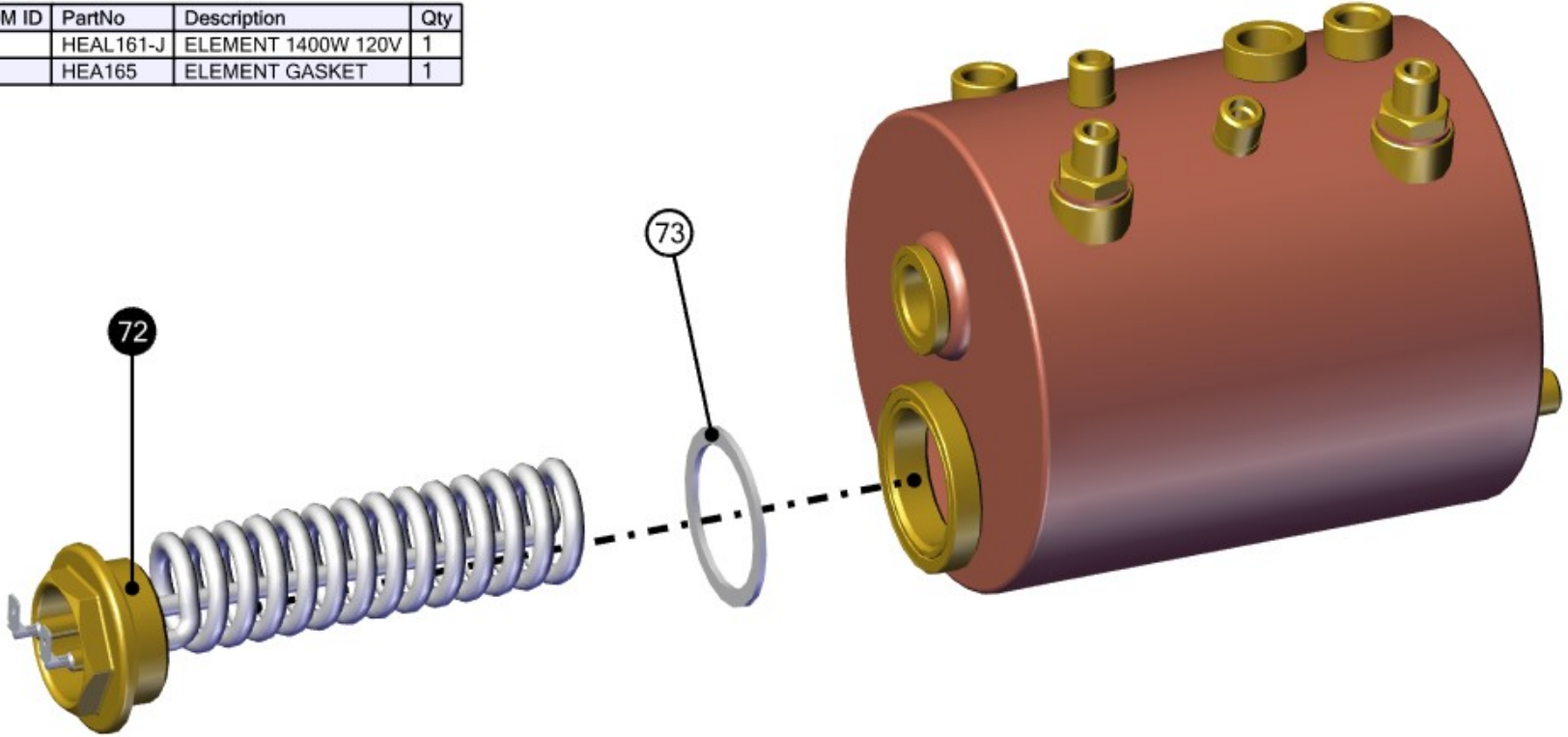
HEA80-LON1 BOILER
SUB ASSEMBLY



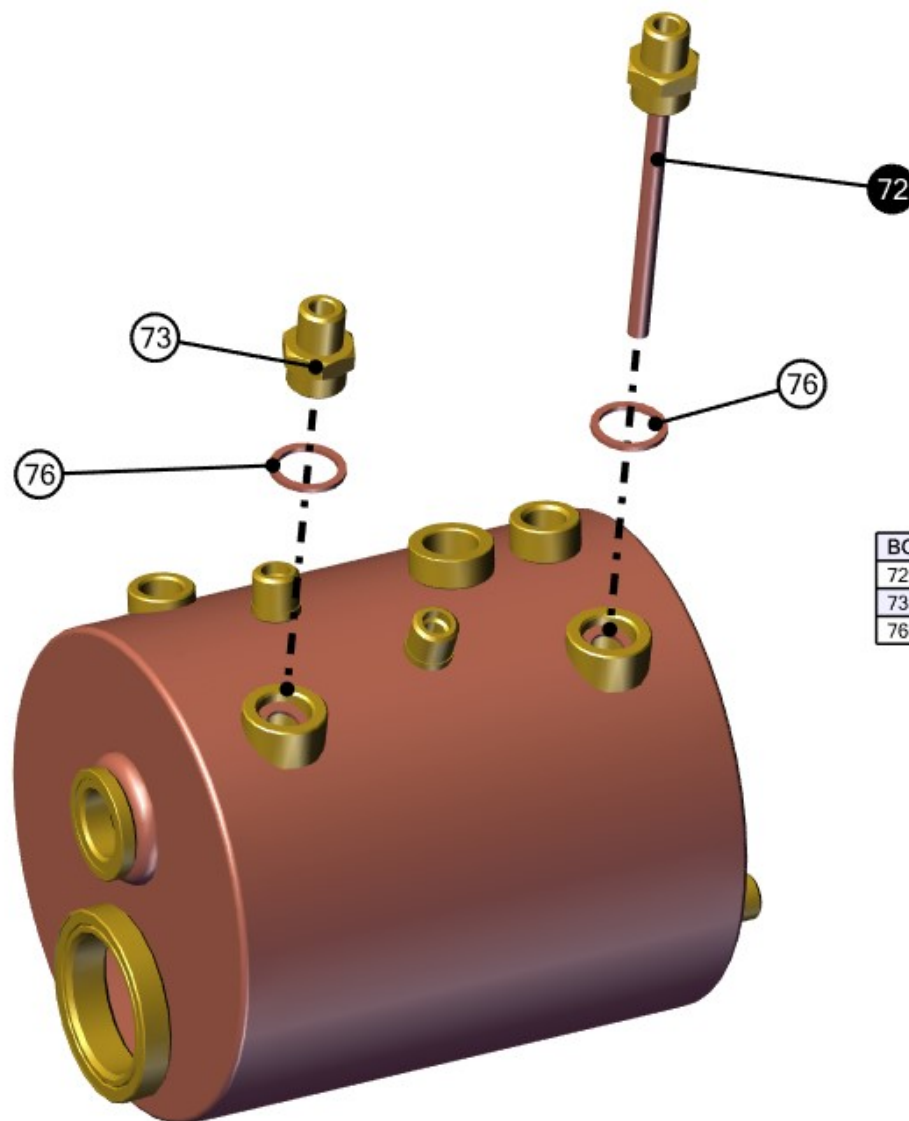
BOM ID	PartNo	Description	Qty
69	FC143	HEAT EX BOTTOM B-TYPE	1
70	FC75A	1/4 FEMALE COPPER WASHER	2
71	FC75C	1/4 MALE BLANK NUT	2
72	CHE143A	CHERUB HEAT EXCHANGER DIP TUBE	1
75	FC78	1/2 BSP COPPER WASHER	1

**HEA80-LON1 BOILER
SUB ASSEMBLY**

BOM ID	PartNo	Description	Qty
72	HEAL161-J	ELEMENT 1400W 120V	1
73	HEA165	ELEMENT GASKET	1

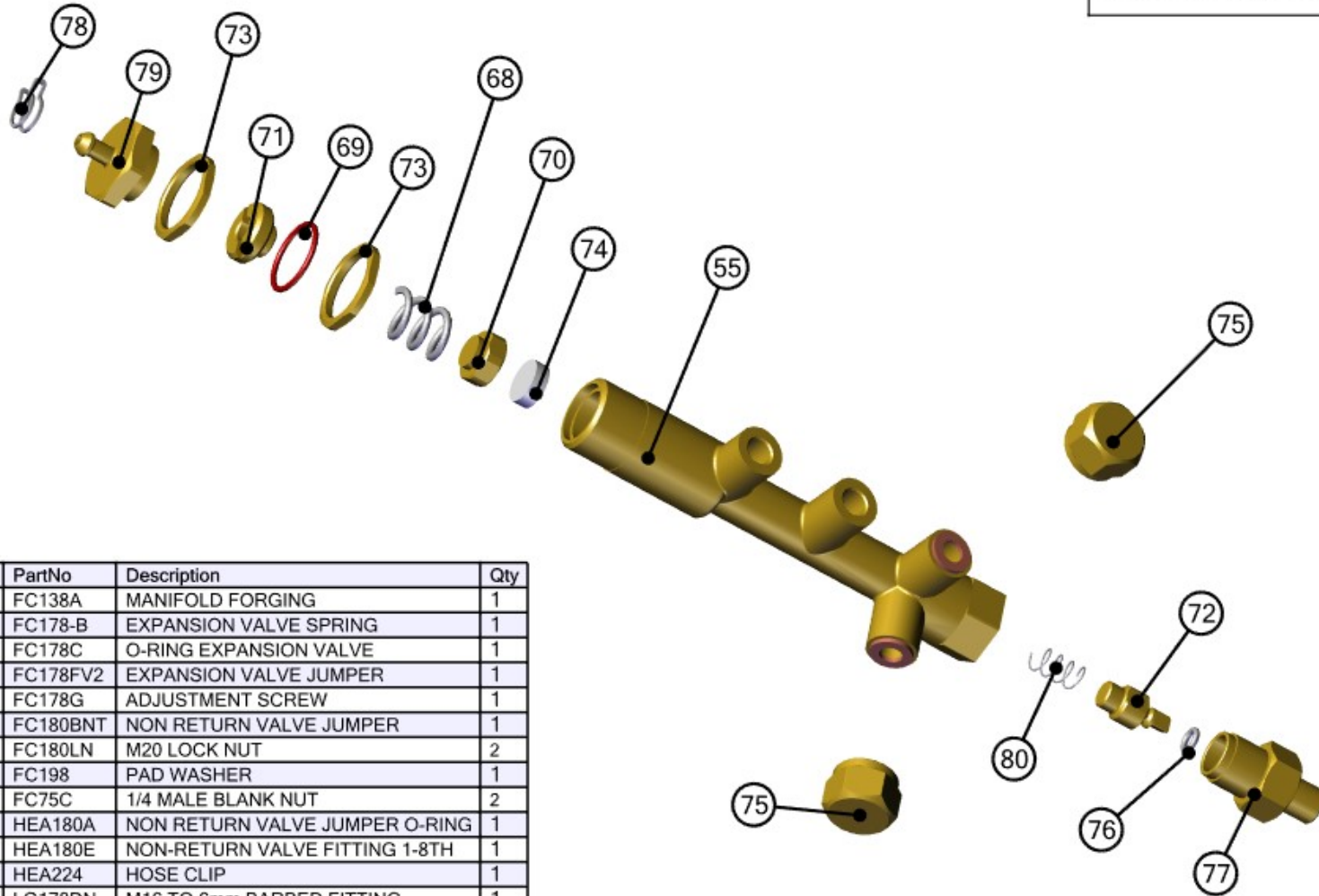


HEA80-LON1 BOILER
SUB ASSEMBLY



BOM ID	PartNo	Description	Qty
72	LCN143	DIP TUBE	1
73	FC73A	3-8 TO 1-4 FITTING	1
76	FC77	3/8 COPPER WASHER	2

**LON138COM MANIFOLD
 SUB ASSEMBLY**

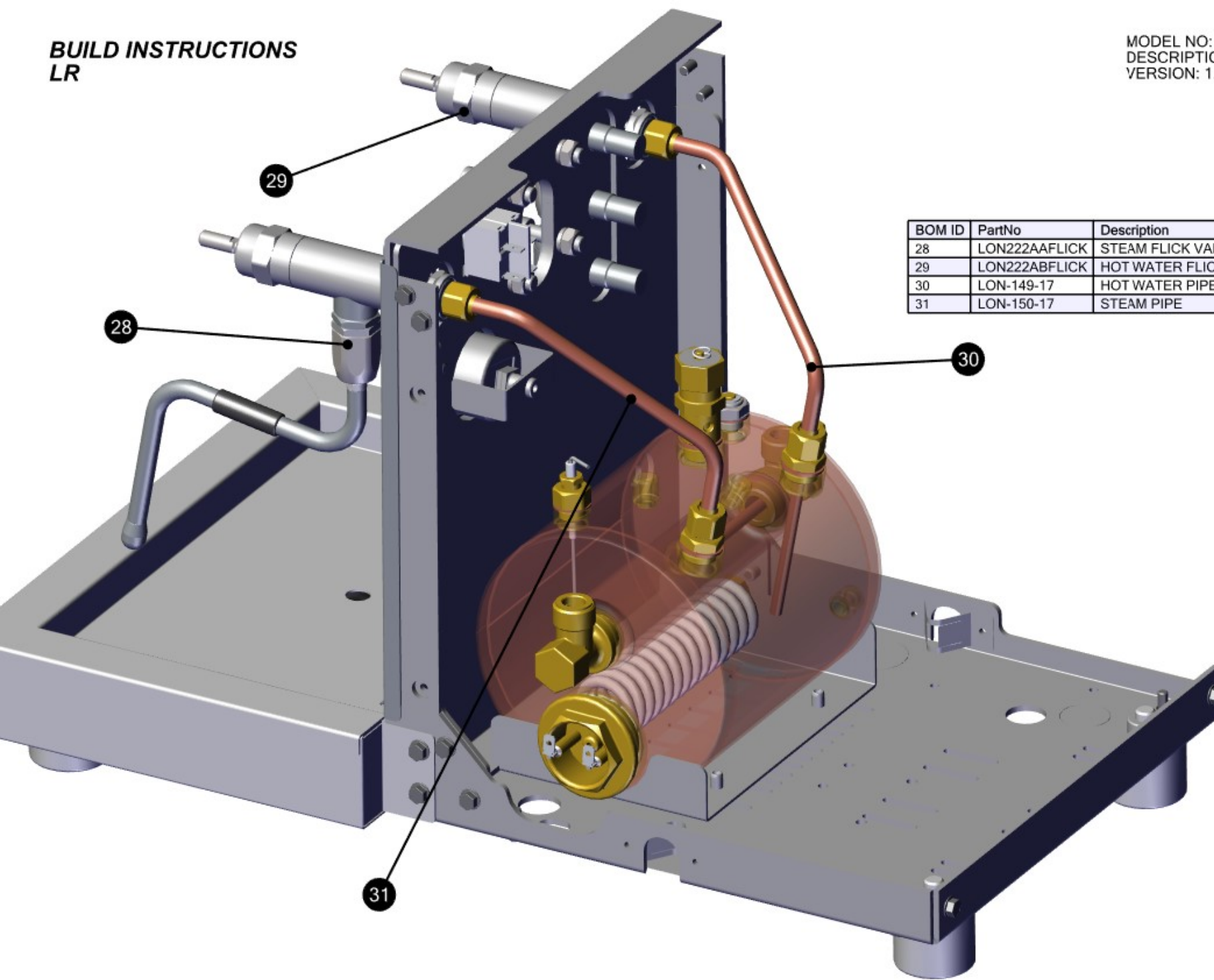


BOM ID	PartNo	Description	Qty
55	FC138A	MANIFOLD FORGING	1
68	FC178-B	EXPANSION VALVE SPRING	1
69	FC178C	O-RING EXPANSION VALVE	1
70	FC178FV2	EXPANSION VALVE JUMPER	1
71	FC178G	ADJUSTMENT SCREW	1
72	FC180BNT	NON RETURN VALVE JUMPER	1
73	FC180LN	M20 LOCK NUT	2
74	FC198	PAD WASHER	1
75	FC75C	1/4 MALE BLANK NUT	2
76	HEA180A	NON RETURN VALVE JUMPER O-RING	1
77	HEA180E	NON-RETURN VALVE FITTING 1-8TH	1
78	HEA224	HOSE CLIP	1
79	LG178DN	M16 TO 6mm BARBED FITTING	1
80	FC180DNT	NON RETURN VALVE SPRING	1

LONDINIUM R CONVERSION GUIDE

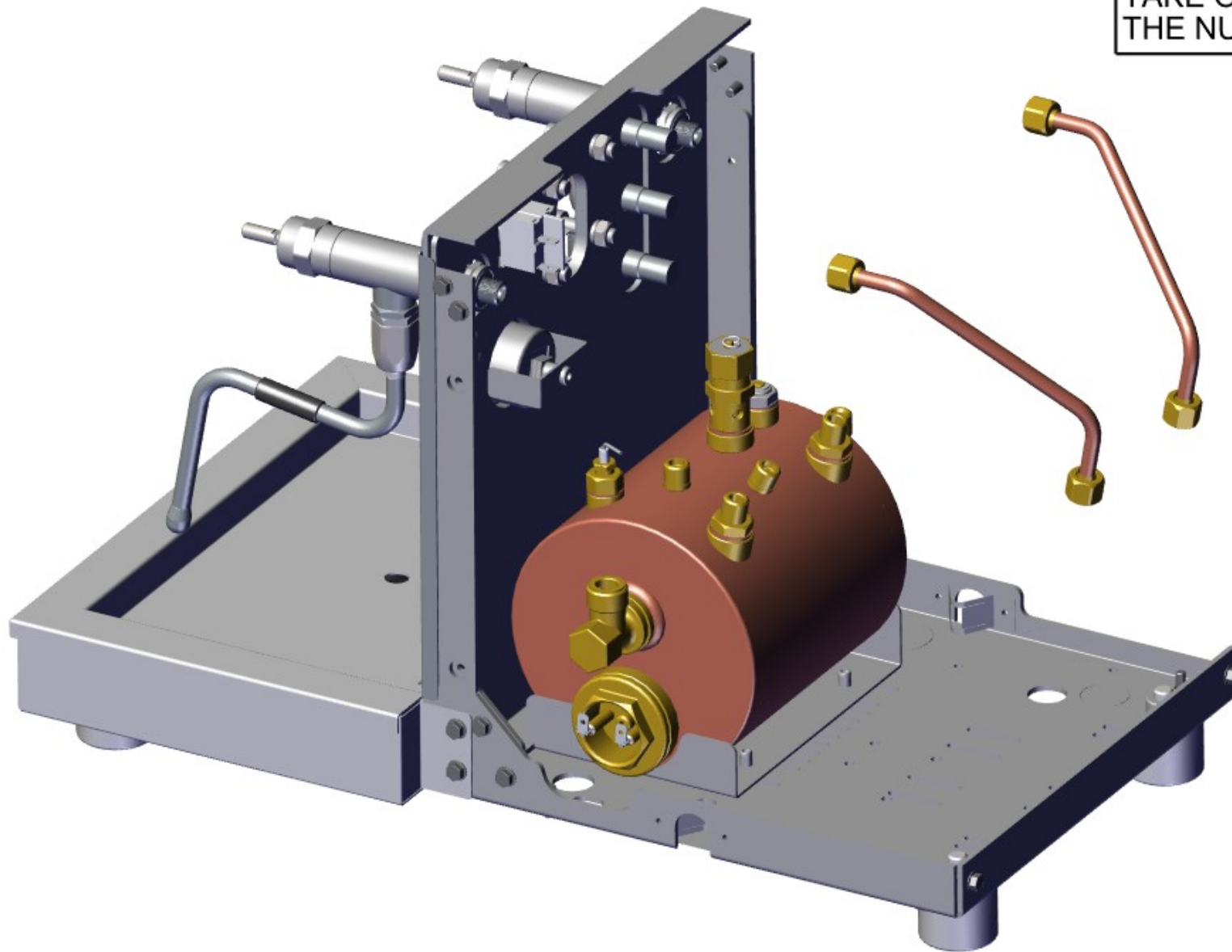
BUILD INSTRUCTIONS
LR

MODEL NO: LR
DESCRIPTION: LR - BUILD INSTRUCTIONS
VERSION: 1.1

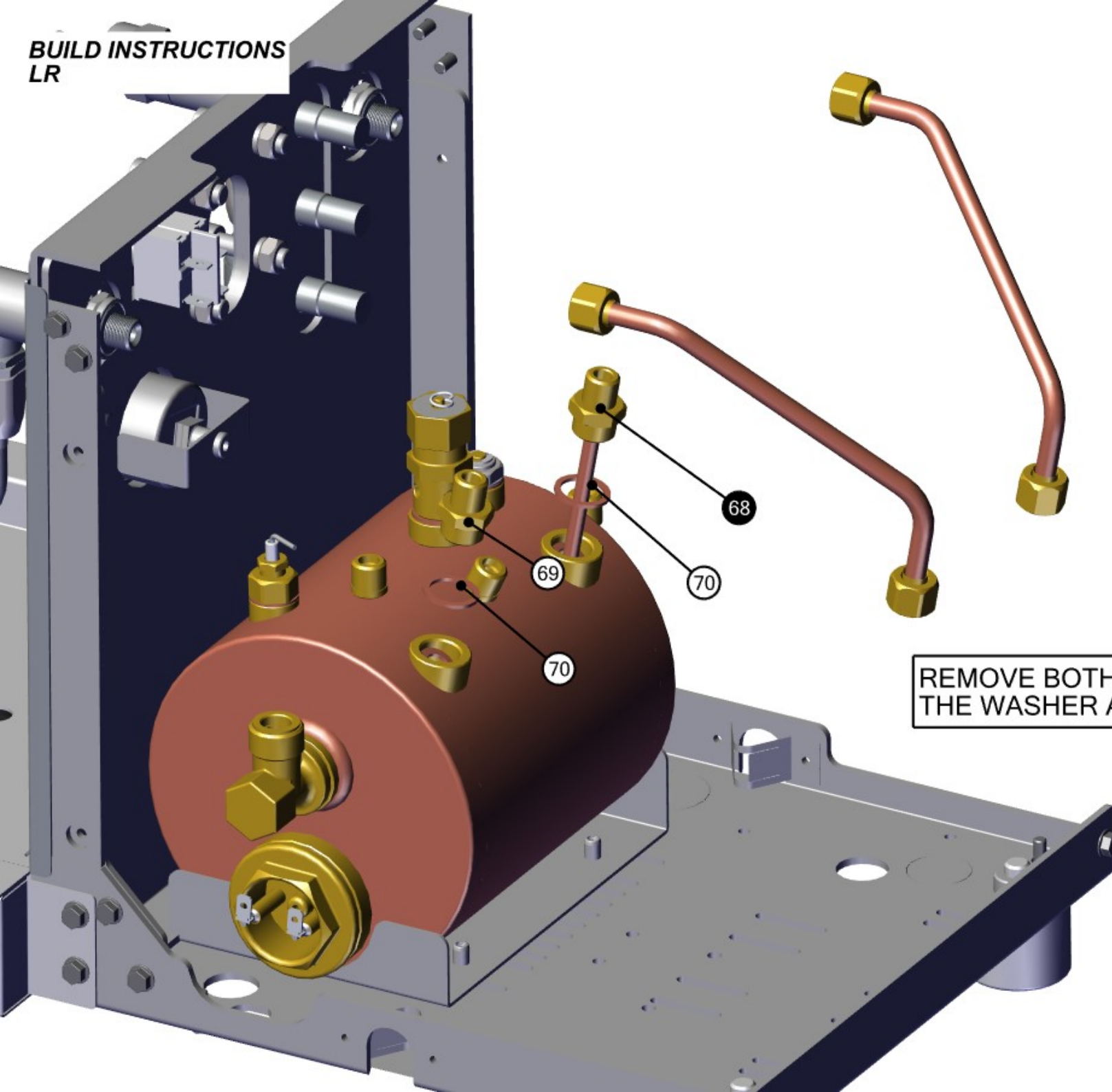


BOM ID	PartNo	Description	Qty
28	LON222AAFLICK	STEAM FLICK VALVE COMPLETE	1
29	LON222ABFLICK	HOT WATER FLICK VALVE COMPLETE	1
30	LON-149-17	HOT WATER PIPE	1
31	LON-150-17	STEAM PIPE	1

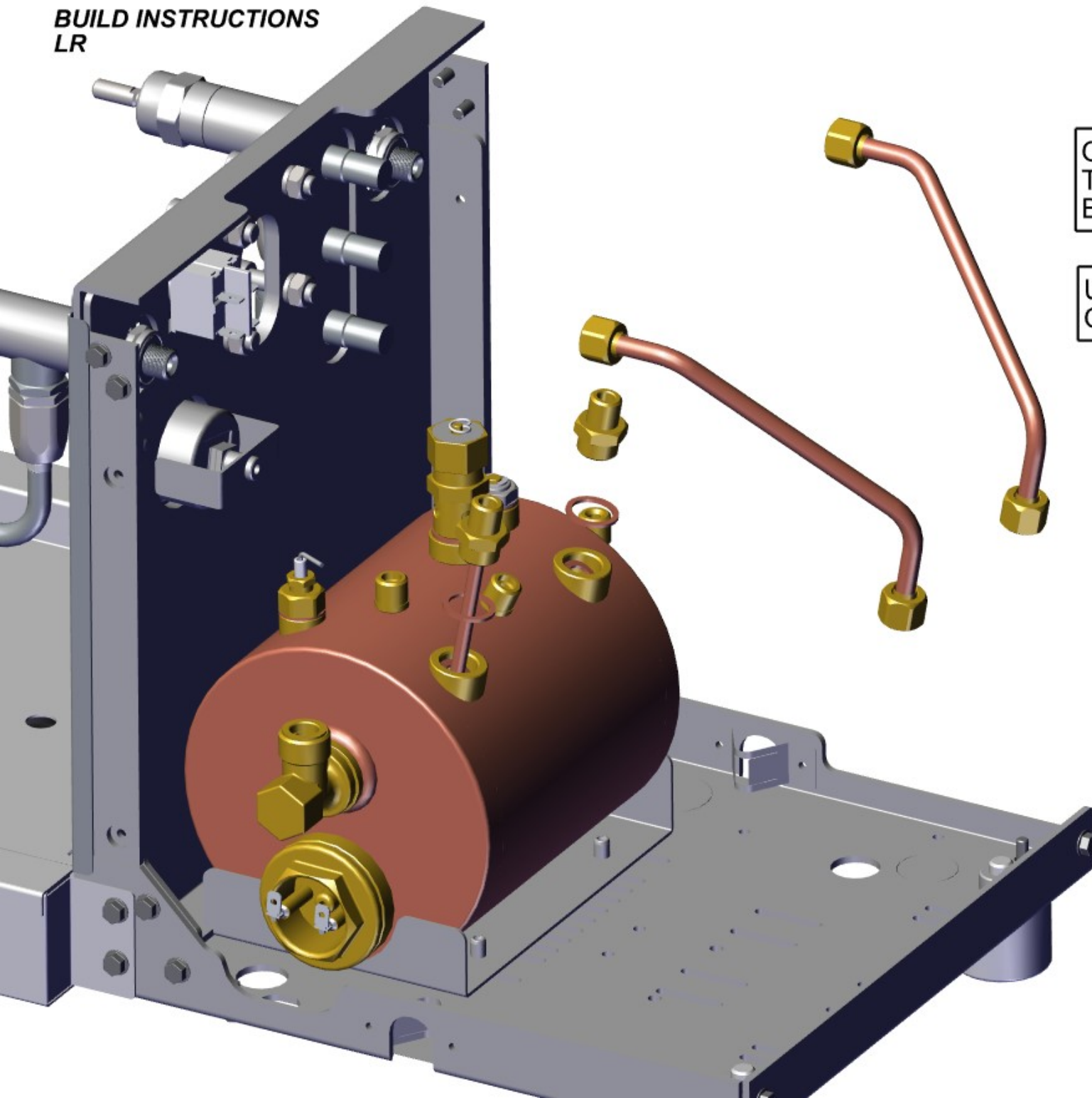
TAKE OFF BOTH PIPES BY LOSENING
THE NUTS WITH A SPANNER



BOM ID	PartNo	Description	Qty
68	LON143	DIP TUBE	1
69	FC73A	3-8 TO 1-4 FITTING	1
70	FC77	3/8 COPPER WASHER	2



REMOVE BOTH OF THE FITTINGS INCLUDING THE WASHER AND SWAP AROUND

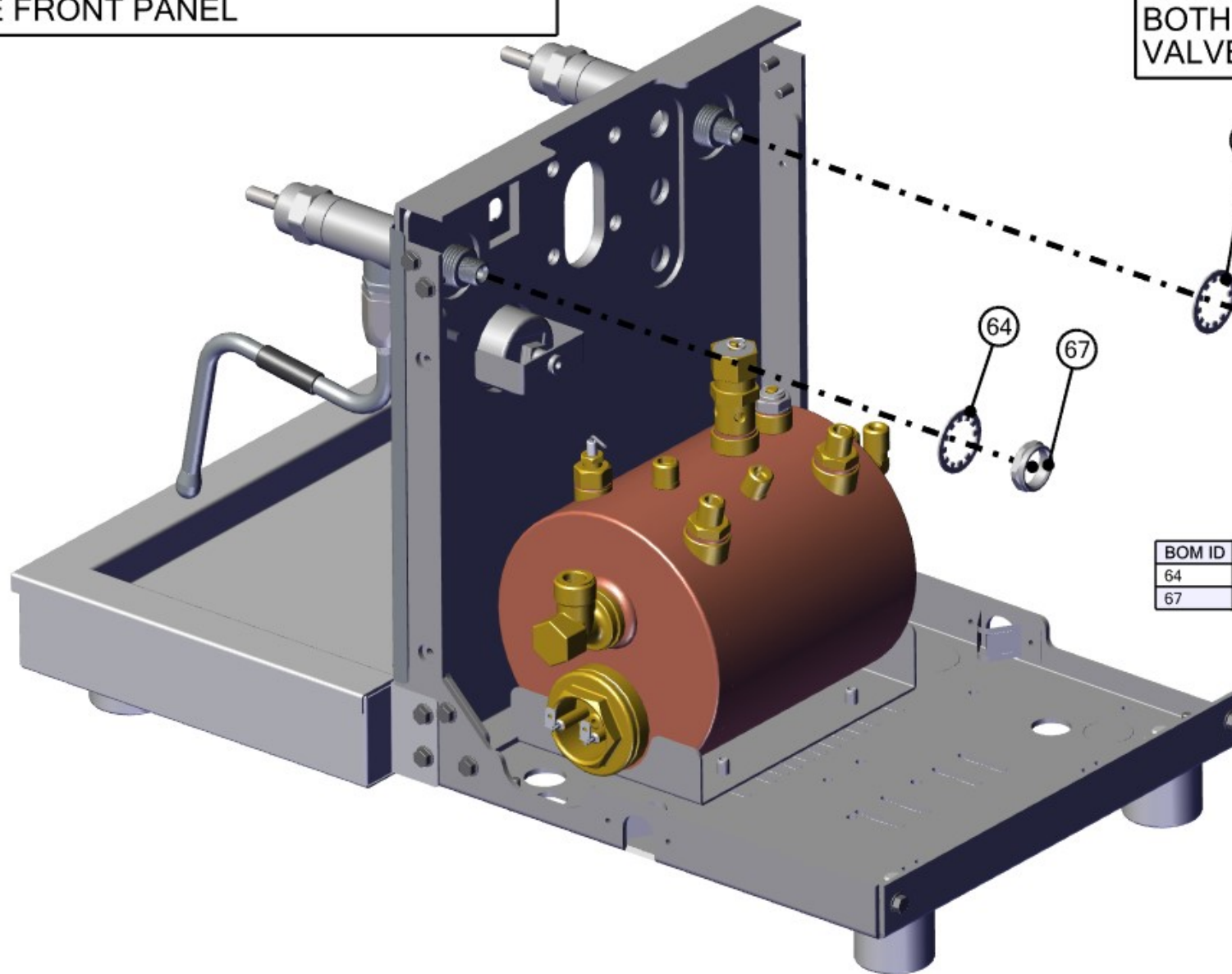


ONCE SWAPPED SCREW
THE FITTINGS BACK INTO THE
BOILER WITH THE WASHERS

USING A THREAD LOCK ON BOTH
OF THE FITTINGS IS ADVISED

TAKE CARE WHEN REMOVING THE VALVE ASSEMBLIES NOT TO SCRATCH THE FRONT PANEL

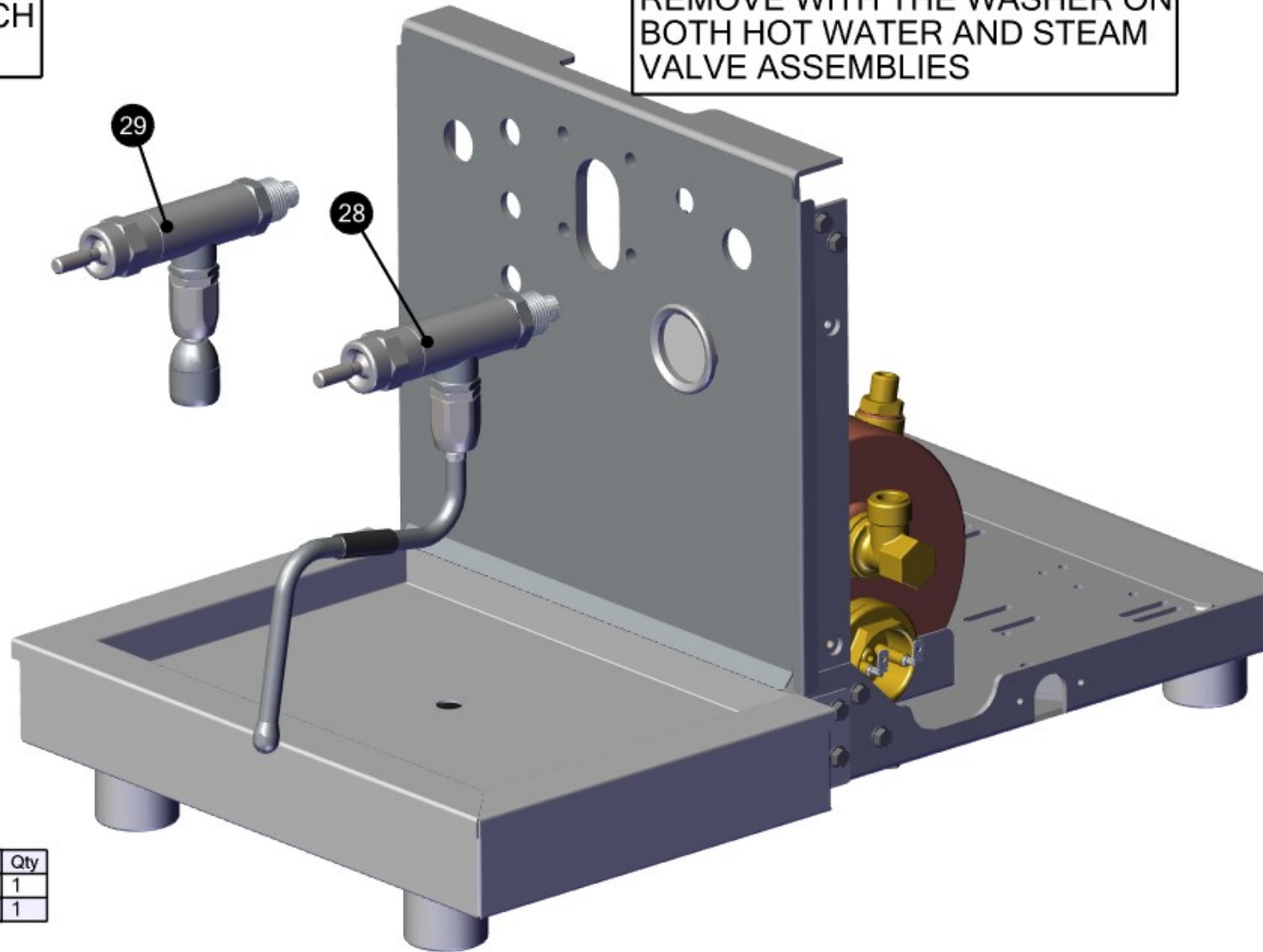
UNSCREW THE LOCK NUT AND REMOVE WITH THE WASHER ON BOTH HOT WATER AND STEAM VALVE ASSEMBLIES



BOM ID	PartNo	Description	Qty
64	FC222JSP	M20 SHAKEPROOF WASHER	2
67	FC196C	1-2 BSP LOCK NUT CHROMED	2

TAKE CARE WHEN REMOVING THE VALVE ASSEMBLIES NOT TO SCRATCH THE FRONT PANEL

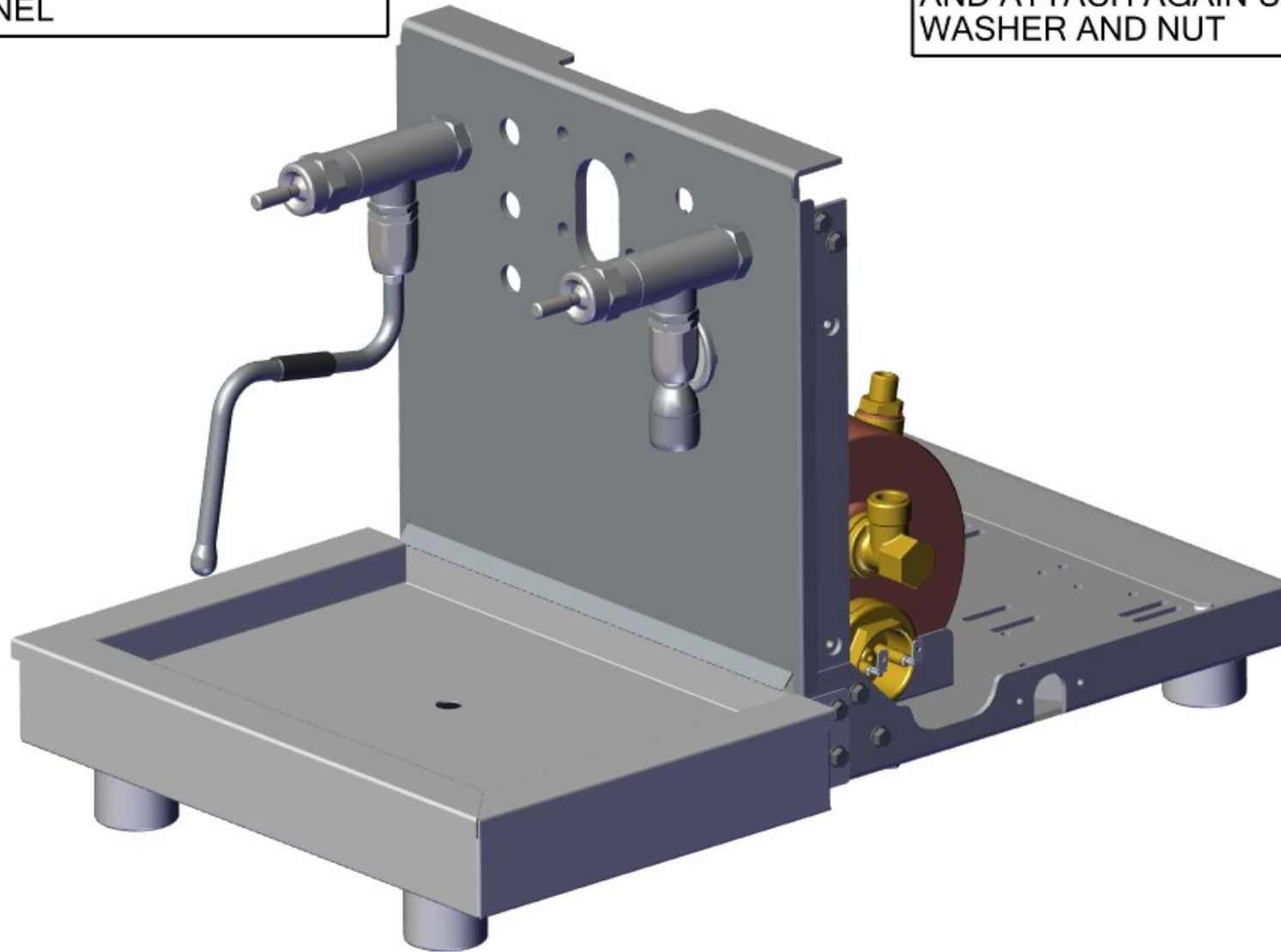
UNSCREW THE LOCK NUT AND REMOVE WITH THE WASHER ON BOTH HOT WATER AND STEAM VALVE ASSEMBLIES



BOM ID	PartNo	Description	Qty
28	LON222AAFLICK	STEAM FLICK VALVE COMPLETE	1
29	LON222ABFLICK	HOT WATER FLICK VALVE COMPLETE	1

TAKE CARE WHEN REMOVING THE
VALVE ASSEMBLIES NOT TO SCRATCH
THE FRONT PANEL

SWAP THE HOT WATER AND
STEAM VALVE FULL ASSEMBLIES
AND ATTACH AGAIN USING THE
WASHER AND NUT



TAKE CARE WHEN REMOVING THE
VALVE ASSEMBLIES NOT TO SCRATCH
THE FRONT PANEL

SWAP THE HOT WATER AND
STEAM VALVE FULL ASSEMBLIES
AND ATTACH AGAIN USING THE
WASHER AND NUT

